



SHIMABUN



English Catalogue

Made in Japan

shimabun.com



株式会社ノマ

Since 1871

Driven By Innovation



株式会社シマブン

Since 1871

Driven By Innovation



Design, Engineering and Manufacture in JAPAN

Shimabun is one of the leading grating manufacturing company in Japan. Shimabun's gratings are built for strength and designed to perform. Since the beginning, we have focused to research and develop universal design products for residential houses and building materials sector to create comfortable and happiness towards the people of the society. What we mean by universal design products is that it is safe, easy and comfortable to use regardless any ages.

Shimabun mainly manufactures linear water drainage products both for indoor and outdoor use. We are also well known as an OEM company; manufacturing linear water drainage both for TOTO and LIXIL for the Japan market. Other than linear water drainage, we also manufacture stainless steel mirror, porcelain ceramic door handle, wood handrail and wooden rack and other sanitary products.

Over the years, we have accumulated vast experiences and developed a wide range of product line up with different materials. All the factories and manufacturing processes are carefully done in Japan. Our products are manufactured with trust and quality guaranteed. We will continuously bring you the best products that are equipped with the latest technology. Not only do we offer a wide selection of contemporary designs but also the beauty and functionality that will last you for years to come.

Message from the President

We started our journey with the aim to research, develop and manufacture universal design products for residential houses and building materials sector to create comfortable and happiness towards the people of the society. Our mission is to improve the lifestyle and culture of the people and to provide a healthy and civilized way of life. Since our establishment, we have valued creativity and challenged the limits of technological innovation with a pioneering spirit. Over the years, Shimabun brand has won customers' trust in locally and internationally as a grating specialist manufacturer with a wealth of experience and a solid track record. Customer satisfaction is our main priority that drives us to develop the latest technologies and manufacturing capabilities and contribute to the society by providing excellent products and services. Our amazing universal design products do not only provide customers safe and secure but also make their usage comfortable. We always listen to our customers very carefully which help us to become stronger in various ways, in areas including quality, productivity and manufacturing technology and become more competent in the market. We believe we can increase the company value much further by enhancing the products and expanding the domestic/overseas sales network. We will continue working together with society toward achieving our goals to enhance our corporate value and helping create an affluent society.

Nobuhide Shima President and CEO

Corporate Overview

| Company Name | Shimabun Corporation

| Founded | 1871

| Establishment | October 12, 1966

| Representative | Nobuhide Shima, President

| Major products and operations |

Manufacturing and sales of housing equipments, building materials,
and universal design products

| Head Office | 28-7 Chuomachi, Kurume-shi, Fukuoka 830-0023, Japan

| Factory | 2488-5 Eguchi, Miyaki-cho, Miyaki-gun, Saga 849-0112, Japan

tel. +81-942-89-5235 fax. +81-942-89-5306 Email. toiawase@shimabun.jp

| Tokyo Sales Office | 6F Ryogoku Sakamoto Building, 1-8-4 Ryogoku, Sumida-ku, Tokyo 130-0026, Japan

tel. +81-3-5625-4848 fax. +81-3-5625-4489

| Okinawa Sales Office | 3F New Wing Watari, 2-6-36 Omoro-machi, Naha-shi, Okinawa 900-0006, Japan

tel. +81-98-941-5267 fax. +81-98-941-5267



An aerial photograph of a coastline at sunset. The sun is low on the horizon, casting a warm orange glow over the water and the land. The foreground shows a road or path that curves along the edge of the water. The sky is a mix of blue and orange.

A New face Of **JAPAN**

RISE ABOVE QUALITY

Quality is the standard, safety is our priority. All of our products are made from the highest grade JIS(Japanese Industrial Standard) and undergoes a meticulous manufacturing process. A very important characteristics of our products is its resilience, no matter the location or climate. Our products concept is based on universal design for residential houses and the building materials sector. What we mean by universal design is that it will be safe, easy and comfortable to use regardless any age and place.

Shimabun's drainage solutions inspire creative planning. They allow to use or elimination of physical barriers within the floor and can be incorporated into wide range of materials and designs. The high quality of components is not limited to the design, materials and finish; ease of handling and installation are given the same attention to detail.

Products are designed to provide a long reliable service life. The smooth surfaces guarantee efficient drainage and hygiene in both indoors and outdoors use.

CONTENTS



All tests performed and maintenance instructions have been followed in accordance with the Japanese Industrial Standard.

Note:

Although Shimabun provides all information, recommendation, and/or advice regarding its products in good faith, the customer is solely responsible for determining the effectiveness, suitability, and safety of any particular use or application of the product. The installation process has been followed in accordance to the Japanese standard. Base on country to country, the process/steps may differ.

Please Login to: www.shimabun.com



PVC Grating

Pg12 - Pg29

- Swimming Pool Grating
- Safety Grating
- Sugra
- UG

Stainless Grating

Pg30 - Pg47

- Premium
- Normal Stainless type
- Stainless Raffine

Wood Raffine

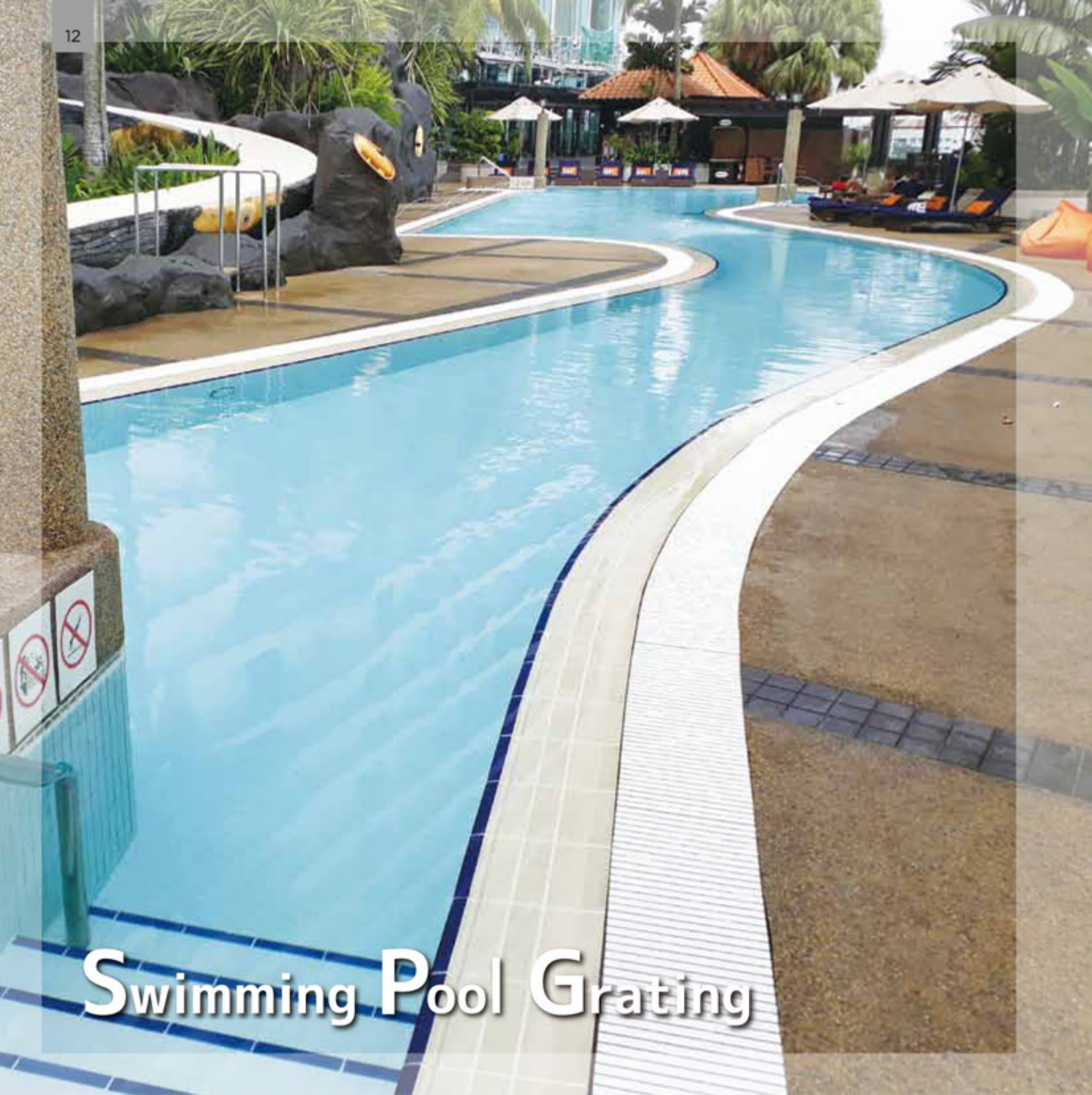
Pg48 - Pg51

Stainless Steel Mirror

Pg52 - Pg55

Cerahand

Pg56 - Pg67



Swimming Pool Grating

Key Features

Flexible

This resin grating can be fit into curved sections easily as it can bends toward both right and left according to suit the pool design.

Non-slippery

The surface and bottom are made of soft PVC (polyvinyl chlorid) which make it safe for bare feet even at wet places. Besides, you will not feel cold stepping on the resin in winter season.

Easy maintenance

Light weight and can be rolled up at the time of cleaning easily which reduce costly recoating exercises. As the surface is inverted-U shaped, it has excellent water drainage property.

Narrow Gaps

It is noted that the gaps between bars are 6 mm or less which prevent children from inserting fingers.

Durability

The whole part is made of resin which is excellent in chemical resistance. Anti-bacterial and antifungal agent is also contained which makes it excellent in durability.

Excellent resistance

It has excellent resistance to hot water and weather resistance.

Color Variation

Resin gratin comes in five different color options which are black, blue, beige, light gray and white.



A (Blue)



B (Beige)



G (Light gray)



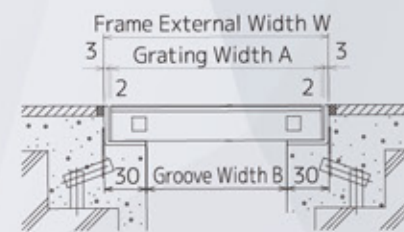
S (White)



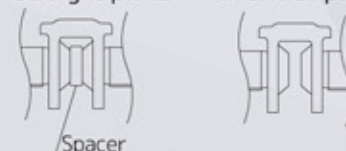
K (Black)



For straight, there will be blue spacer at the both end.



For straight parts For curved parts



*Only gratings for straight parts (Unit:mm)

Note : Each grating is 1000 millimeter long. Space disconnect the joints according to your require measure.

Material and specifications

Members	Materials	Note
Main bar	Hard/soft vinyl chloride(PVC)	Antibacterial and antifungal
Joint	Soft vinyl chloride(PVC)	Antibacterial and antifungal
Spacer for straight part	Polypropylene(P.P)	—

[Test Results of Resin Grating for Swimming Pool]

Test items	Contents of test	Evaluation
Load bearing test	Apply a concentrated load on one point whose area is equivalent to the area of a wheel of one wheel chair (φ50) (local load test). The test is implemented based on JIS A 1450.	No significant bend or have residual deformation within the range of withstanding load indicated in the specifications.
Weather resistance accelerated exposure test	Sunshine weather meter 63 C x 200hr Rainfall duration 12 min/hr	No significant color deterioration or change of color
Chemical resistance test	Apply alkaline, neutral, and acidic chemicals once a day x 14 days	No abnormality in appearance.
	The following chemicals which are used in swimming pools, kitchens, and factories are tested for 4 months. 1. Sodium hypochlorite 2. Hydrogen peroxide 3. Sulfuric acid	No color change or abnormality in appearance. *If the product is adhered with a dark colored chemical and left for a long time, the color does not go off easily.

For straight parts

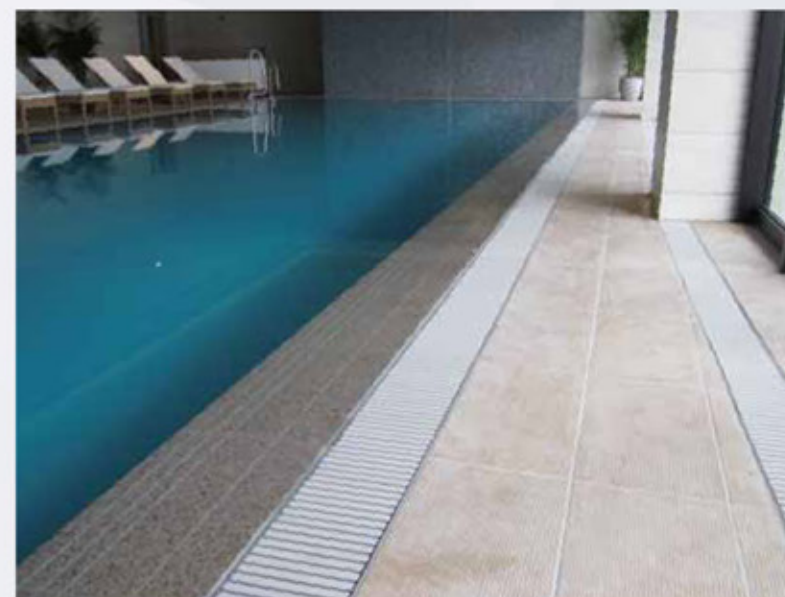
Groove width	Part number	Color	Width A mm	Height	Length L mm	Weight (Grating)	Withstanding load	Frame external width Wmm
100	GRP-25W150	A (Blue)	150	25	1000	1.9kg	2.0kN(200kgf)	160
130	GRP-25W180	B (Beige)	180			2.2kg		
150	GRP-25W200	G (Light gray)	200			2.4kg	1.5kN(150kgf)	210
200	GRP-25W250	S (White)	250			3.0kg		
250	GRP-25W300	K (Black)	302.5			3.6kg	1.0kN(100kgf)	260
								310

For curved parts

Groove width	Part number	Color	Width A mm	Height	Length L mm	Weight (Grating)	Withstanding load	Minimum curve inner R	Frame external width Wmm
100	GRPR-25W150	A (Blue)	150	25	1000 (Note 1)	1.9kg	2.0kN(200kgf)	500	160
130	GRPR-25W180	B (Beige)	180			2.2kg			
150	GRPR-25W200	G (Light gray)	200			2.4kg	1.5kN(150kgf)	750	210
200	GRPR-25W250	S (White)	250			3.0kg			
250	GRPR-25W300	K (Black)	302.5			3.6kg	1.0kN(100kgf)	1000	260
								1250	310

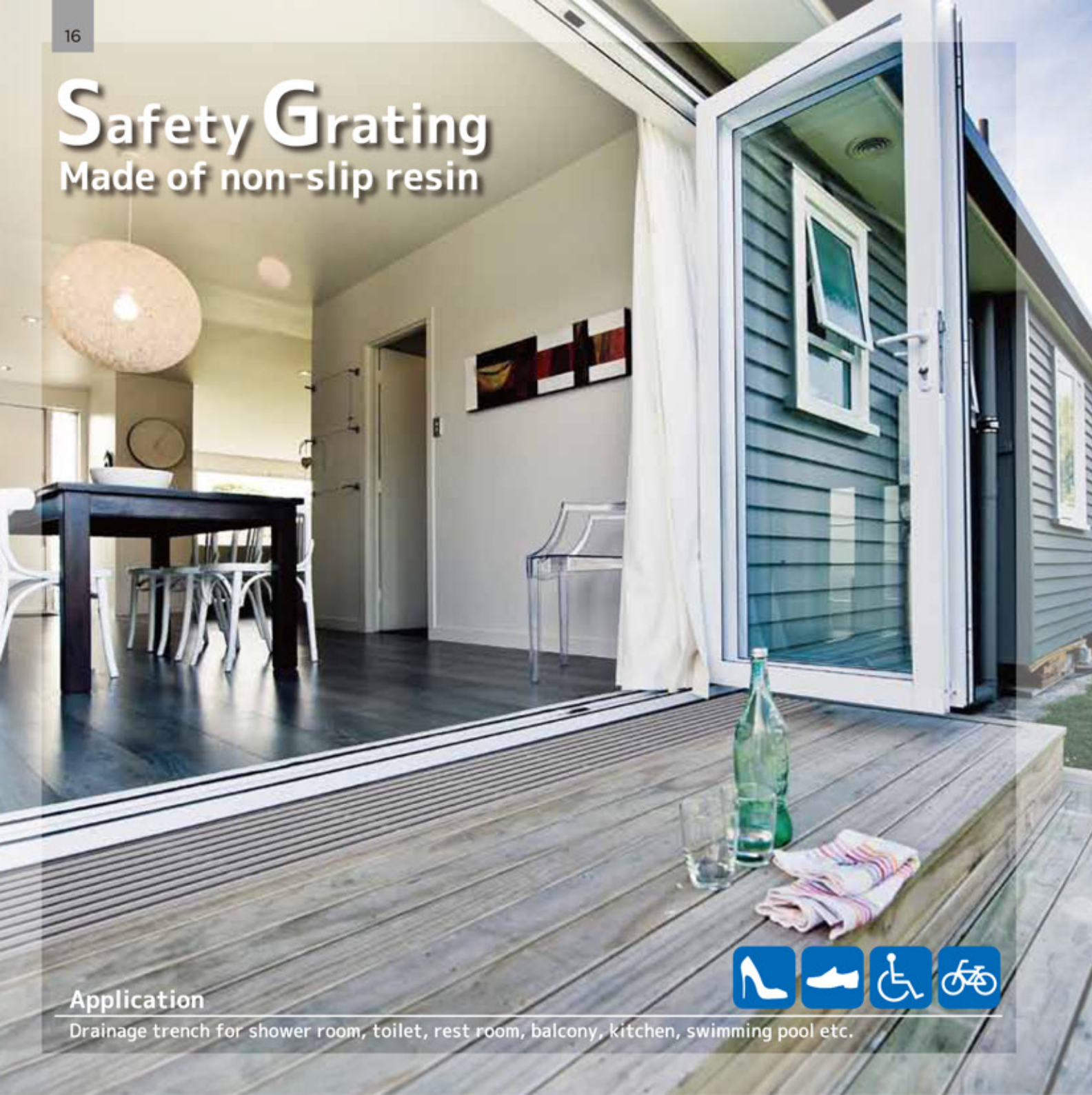
●Notes for Ordering

- *Please specify the color when you order. Example : If you wish to order a blue grating, please specify GRP-25W150-A.
- *The only color option for a joint is light gray.
- *Depending on request, we can manufacture special order-made products with non-standard dimensions and color.
- *Custom sizes available.
- *Minimum order request 50 meter.
- *In regards of L shape angle' please discuss with us'



Safety Grating

Made of non-slip resin



Application

Drainage trench for shower room, toilet, rest room, balcony, kitchen, swimming pool etc.



Narrow Gaps

The gaps between bars are 6 mm or less which prevent children from inserting fingers.

Resistance

Excellent resistance to chemicals, hot water, and weather enables outdoor use such as in swimming pools.



Durability

Steel crossbars are cover inside the resin makes it stronger to bear the passage of a wheel. Wheel chairs and the like can go smoothly across the grating.



Easy Maintenance

Safety Grating is light weight and each resin has a pull ring that makes cleaning easier.



Non-slippery

The surface and bottom are made of soft PVC (polyvinyl chlorid) which make sure it is safe for bare feet even at wet places. Moreover, the resin surface does not feel cold in winter.

Color Variation

Safety grating comes in nine different color options.

*Please specify a color when you place an order.

Example : If you wish to order a beige grating, please specify GRS-20W150-B.



B:Beige

G:Light gray

S:White

P:Pink

A:Blue

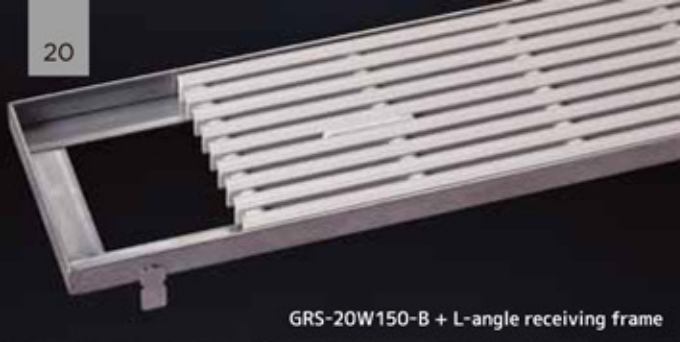
D:Dark gray

M:Wood

C:Brown

K:Black





GRS-20W150-B + L-angle receiving frame



Reinforcement Specifications(Height20mm)

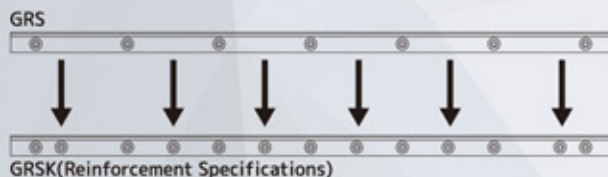
Wide width

In case of width size of 300 or more, we strongly recommend the Reinforcement type(GRSK) for better performance and durability. Please check the withstand load of each specimen given at the catalogue.

Specimen 300mm or more

When strength is required

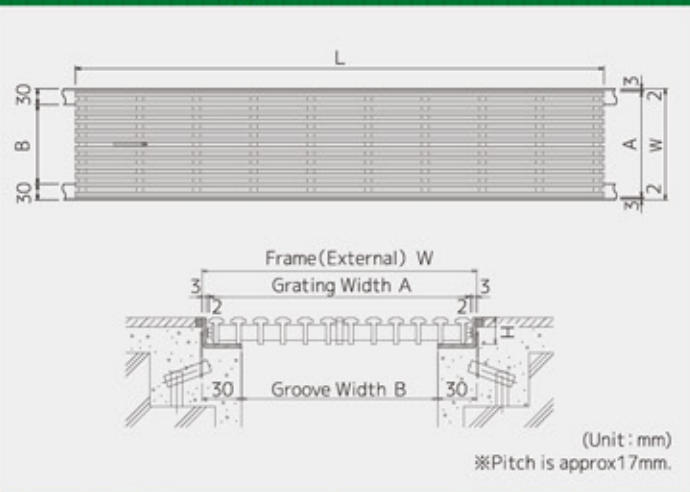
In case of stretchers, and other heavy objects across the grating, we strongly recommend the Reinforcement type (GRSK) for better performance and durability.



● Differences between GRS and GRSK
GRSK comes in 20 stainless steel crossbar and GRS comes in 10 stainless steel crossbar in 1-meter length.



Vertical type (standard specifications)



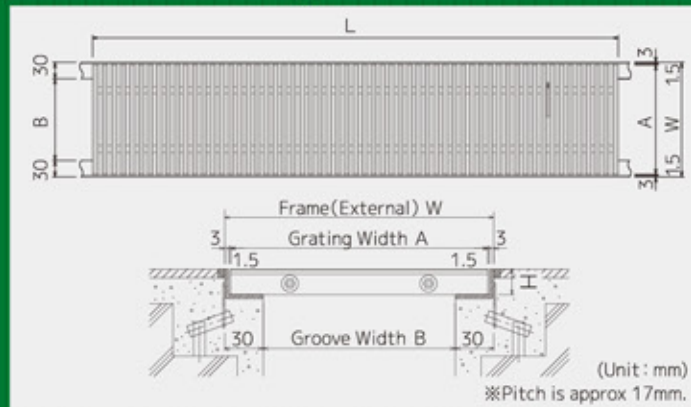
Height Hmm	Grating						L-angle receiving frame		
	Bmm	No.	Width A mm	Length L mm	Weight (Grating)	Withstanding load	No.	Wmm	Weight
20	100	GRS-20W150	150	999	1.8kg	1.5kN(150kgf)	GSL-20	160	1.2kg
	150	GRS-20W200	200		2.4kg	1.0kN(100kgf)		210	
	200	GRS-20W250	250		3.0kg			260	
	250	GRS-20W300	300		3.6kg			310	
25	100	GRS-25W150	150	999	2.0kg	2.0kN(200kgf)	GSL-25	160	1.3kg
	150	GRS-25W200	200		2.7kg	1.5kN(150kgf)		210	
	200	GRS-25W250	250		3.3kg			260	
	250	GRS-25W300	300		4.0kg			310	

Height Hmm	Grating						L-angle receiving frame		
	Bmm	No.	Width A mm	Length L mm	Weight (Grating)	Withstanding load	No.	Wmm	Weight
20	100	GRSK-20W150	150	999	2.3kg	2.0kN(200kgf)	GSL-20	160	1.2kg
	150	GRSK-20W200	200		3.1kg			210	
	200	GRSK-20W250	250		3.9kg	260			
	250	GRSK-20W300	300		4.7kg	310			
	300	GRSK-20W350	350		5.5kg	360			
25	100	GRSK-25W150	150	999	2.5kg	2.0kN(200kgf)	GSL-25	160	1.3kg
	150	GRSK-25W200	200		3.4kg			210	
	200	GRSK-25W250	250		4.2kg	260			
	250	GRSK-25W300	300		5.1kg	310			
	300	GRSK-25W350	350		6.0kg	360			
	350	GRSK-25W400	401		6.8kg	1.0kN(100kgf)		410	

● Notes for Ordering

- * Please specify a color when you order.
Example: If you wish to order a beige grating, please specify GRS-20W150-B.
- * Depending on the request, we can manufacture special order-made products with non-standard dimensions and color.
- <Caution>The product may bend if it is propped against a wall or placed diagonally for a long time. Please make sure to store it on a flat place in stable condition.
- * Custom sizes available.
- * Minimum order request 50 meter.
- * In regards of L shape angle, please discuss with us.

Horizontal type



Height Hmm	Grating						L-angle receiving frame		
	Bmm	No.	Width A mm	Length L mm	Weight (Grating)	Withstanding load	No.	Wmm	Weight
20	100	GRSJ-20W151	151	999	1.6kg	1.0kN(100kgf)	GSL-20	160	1.2kg
	150	GRSJ-20W201	201		2.2kg			260	
	200	GRSJ-20W251	251		2.7kg			260	
25	100	GRSJ-25W151	151	999	1.9kg	1.5kN(150kgf)	GSL-25	160	1.3kg
	150	GRSJ-25W201	201		2.5kg			1.0kN(100kgf)	
	200	GRSJ-25W251	251		3.1kg	260			
	250	GRSJ-25W301	301		3.7kg	310			

Material and specifications

Members	Materials	Finishing	Note
Main bar	Hard/soft vinyl chloride (PVC)	—	Antibacterial and antifungal
Spacer	Hard vinyl chloride (PVC)	—	—
Pull ring	Hard vinyl chloride (PVC)	—	—
Crossbar	SUS304	—	—
Nut	SUS304	—	M4
Washer	SUS304	—	—
L-angle receiving frame	SUS304	2B	t=3.0

[Test Results of Safety Grating]

Test items	Contents of test	Evaluation
Load bearing test	Total weight load of a wheel chair has been imposed on one wheel (Φ50). The test was followed based on JIS A 1450.	No significant bend or residual deformation within the range of withstanding load indicated in the specifications.
Weather resistance accelerated	Sunshine weather meter 63 °C × 200 hr Rainfall duration 12 min/hr	No significant color deterioration or change of color.
Chemical resistance test	Apply alkaline, neutral, and acidic chemicals once a day × 14 days	No abnormality in appearance.
Warm water resistance test	Immerse product in 60°C warm water for 7 days.	No change of color or deformation



SUGRA



Application

Bathroom entrance, Changing room, Doormat etc.



Sugra grating have stood the test of decades of use in all types of wet are which present a risk of slipping and infection, proving themselves to be an ideal solution where the particular emphasis to be placed on accident prevention. Shimabun' s Sugra can easily be incorporated into the design of the facilities question.



Non-slippery

The surface and bottom are made of soft PVC(polyvinyl chlorid) which make sure it is safe for bare feet even at wet places. Moreover, the resin surface does not feel cold in winter.



Narrow Gaps

The gaps between bars are 6 mm or less which prevent children from inserting fingers.



Durability

Steel crossbars are cover inside the resin makes it stronger to bear the passage of a wheel. Wheel chairs and the like can go smoothly across the grating.

Resistance

Excellent resistance to chemicals, hot water, and weather enables outdoor use such as in bathroom.

Easy Maintenance

The lid is light weight and each resin has a pull ring that makes cleaning easier.

Can be use in

1. Public Facilities



- ◆ Indoor and outdoor pools
- ◆ Sports centers
- ◆ Wudu area
- ◆ Adventure pools and thermal baths
- ◆ Shower facilities
- ◆ Sunas
- ◆ Schools
- ◆ Rehabilitation clinics and hospitals
- ◆ Hotels

2. Industry and Business



- ◆ Restaurants
- ◆ Fitness Studios
- ◆ Solariums
- ◆ Dental and chemical laboratories

3. Households



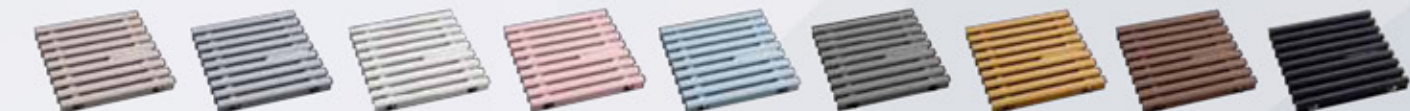
- ◆ Swimming pools
- ◆ Sunas
- ◆ Fitness Studios
- ◆ Shower



Color Variation

SUGRA comes in nine different color options.

*Please specify a color when you order. e.g.) If you wish to order a beige grating, please specify GRZ-25W500-B.



B:Beige

G:Light gray

S:White

P:Pink

A:Blue

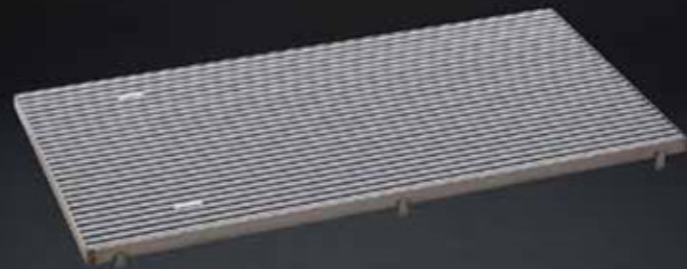
D:Dark gray

M:Wood

C:Brown

K:Black

Standard

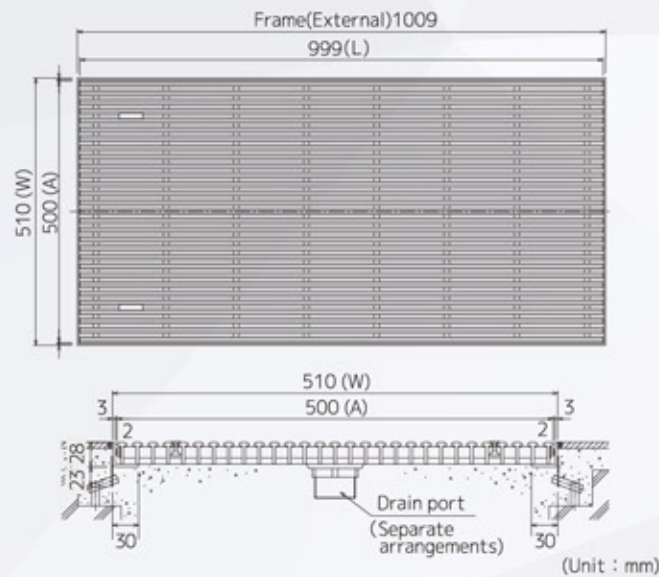


Material and specifications

Members	Materials	Finishing	Note
Resin bar	Hard/soft vinyl chloride (PVC)	—	Antibacterial and antifungal
Spacer	Hard vinyl chloride (PVC)	—	Antibacterial and antifungal
Pull ring	Hard vinyl chloride (PVC)	—	Antibacterial and antifungal
Stud bolt	SUSXM7	—	M4
Nut	SUS304	—	M4
Washer	SUS304	—	—
L-angle receiving frame	SUS304	2B	t=3.0

[Test Results of SUGRA]

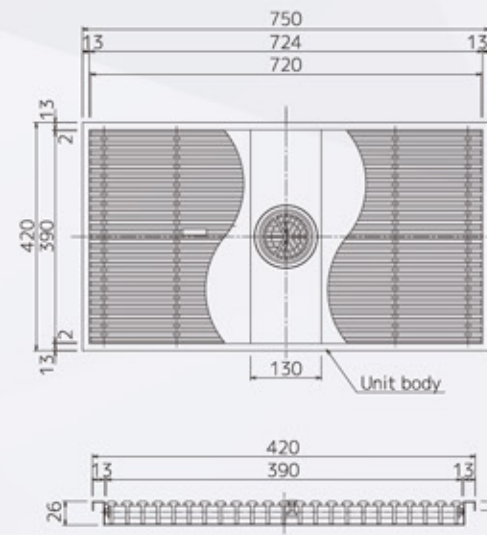
Test items	Contents of test	Evaluation
Load bearing test	Total weight load of a wheel chair has been imposed on one wheel (Φ50). The test was followed based on JIS A 1450.	No significant bend or residual deformation within the range of withstanding load indicated in the specifications.
Weather resistance accelerated	Sunshine weather meter 63 °C x 200 hr Rainfall duration 12 min/hr	No significant color deterioration or change of color.
Chemical resistance test	Apply alkaline, neutral, and acidic chemicals once a day x 14 days.	No abnormality in appearance.
Warm water resistance test	Immerse product in 60°C warm water for 7 days.	No change of color or deformation



Grating					L-angle receiving frame	
No.	Width A mm	Height	Length L mm	Weight (Grating)	No.	W mm
GRZ-25W500	500	25	999	5.2kg	GSL-25	510

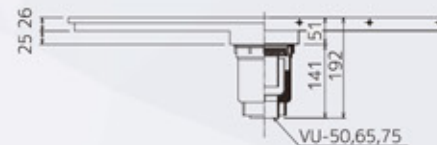
● Notes for Ordering
* Custom sizes available.

For Detached house — Drain Outlet Unit with Trap —

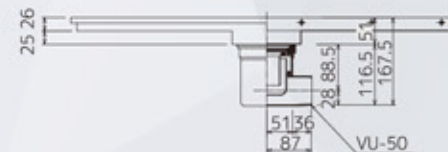


	No.	Weight
Non waterproof vertical drain outlet	HRHT-4275	6.4kg
Non waterproof horizontal drain outlet	HRHY-4275	6.4kg
Waterproof vertical drain outlet	HRHB-4275	10.8kg
Waterproof horizontal drain outlet	HRHZ-4275	10.5kg

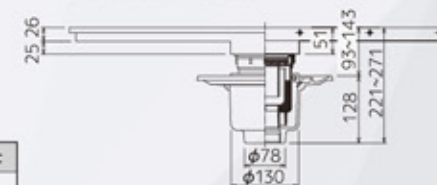
● Non waterproof
Non waterproof
Vertical drain outlet



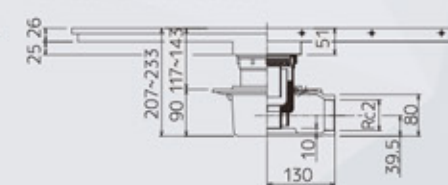
Non waterproof
Horizontal drain outlet



● Waterproof
Waterproof
Vertical drain outlet



Waterproof
Horizontal drain outlet



● Notes for Ordering
* Custom sizes available.

(Unit : mm)



UG

Application

Sidewalk, promenade, park · amusement park, school, golf field etc.



UG grating is specially designed for outdoor units and suitable for installation in areas exposed to water! UG's wings is made of stainless steel which can take heavier loads than human weights. Only high-quality PVC (soft and hard) and stainless steel (304) are used in the production of these grating. This material guarantees high resistance to wear, a high level of durability and thanks to its non-porous, closed surfaces, outstanding hygiene levels.



Narrow Gaps

The gaps between bars are 6 mm or less which prevent children from inserting fingers.

Resistance

Excellent resistance to chemicals, hot water, and weather enables outdoor use such as in sidewalk.



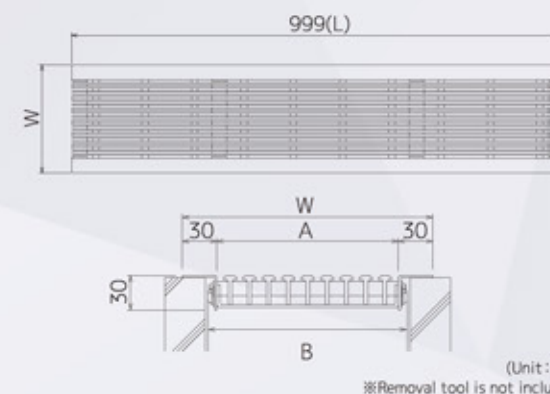
Durability

Steel crossbars are cover inside the resin makes it stronger to bear the passage of a wheel. Stroller and the like can go smoothly across the grating.



Non-slippery

The surface and bottom are made of soft PVC (polyvinyl chloride) which make sure it is safe for bare feet even at wet places. Moreover, the resin surface does not feel cold in winter.



Groove width	Part number	Color	W	A	B	Height	Length L mm	Weight (Grating)	Withstanding load
100	GRU-100	Dark gray	135	75	90	30	999	3.3kg	5.0kN/m ²
120	GRU-120		153	93	108			3.6kg	
150	GRU-150		185	125	140			4.1kg	
180	GRU-180		219	159	174			4.5kg	
240	GRU-240		275	215	230			4.9kg	
300	GRU-300		338	278	293			6.3kg	
360	GRU-360		395	335	350			7.2kg	

●Notes for Ordering

- * Depending on the request, we can manufacture special order-made products with non-standard dimensions and color.
- <Caution>The product may bend if it is propped against a wall or placed diagonally for a long time. Please make sure to store it on a flat place in stable condition.
- * Custom sizes available.

Connecting metal fitting (Option)



This fitting protects this grating from theft and scattering.

Silencing Rubber (Option)



To prevent any noises while walking on the grating.

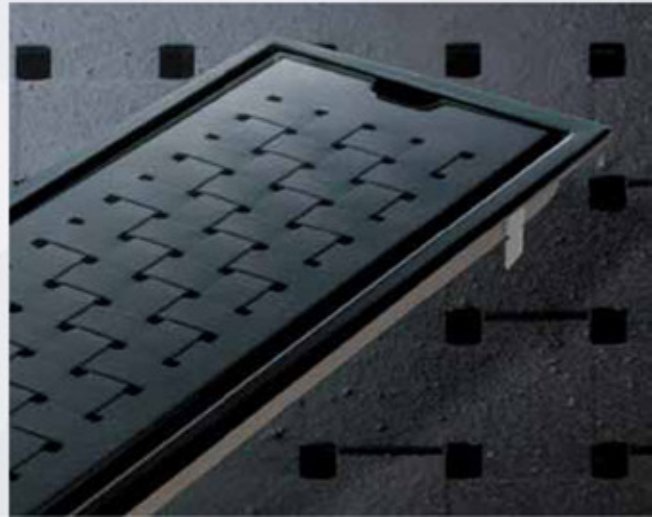
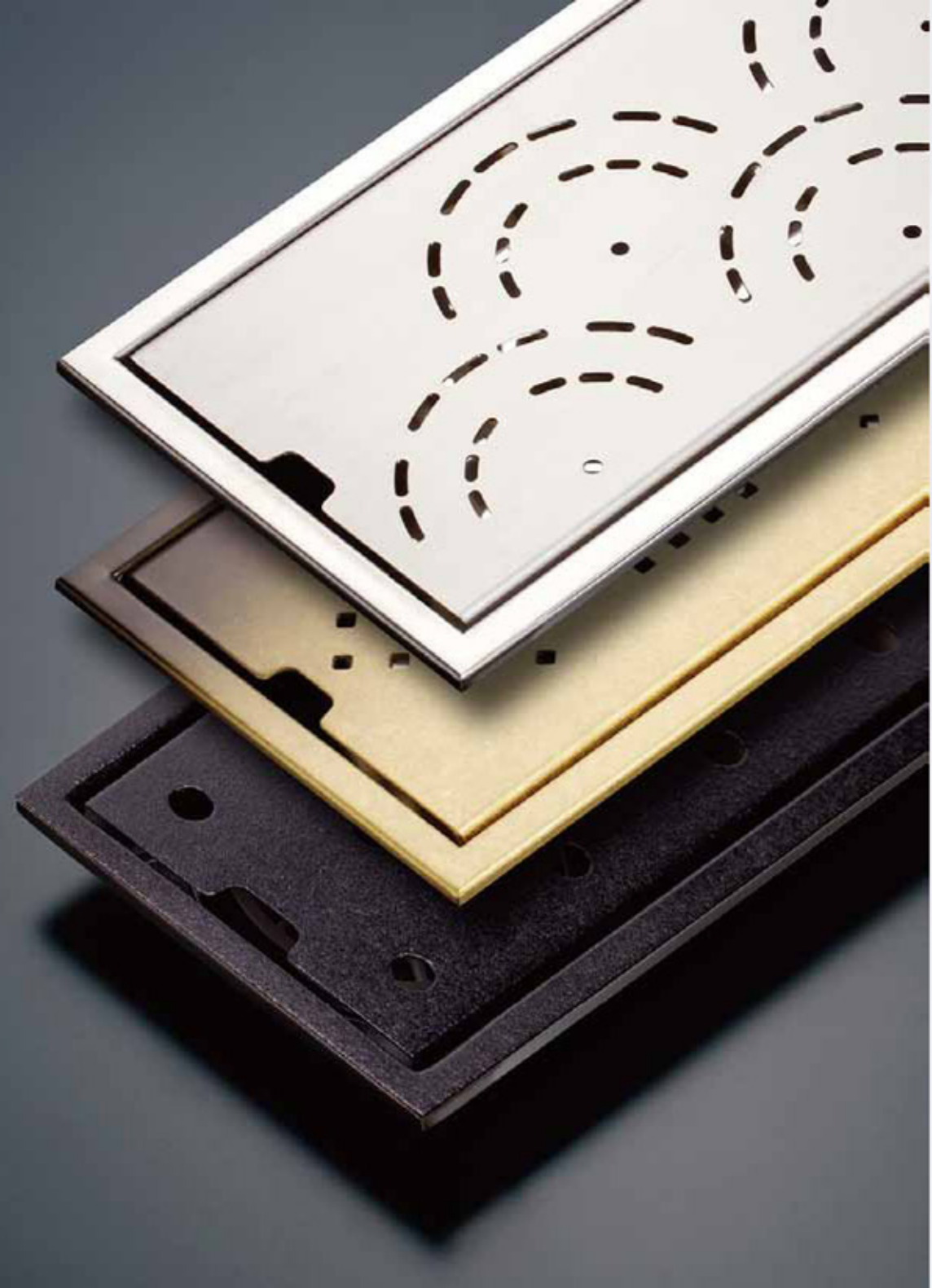
Rubber

Material and specifications

Members	Materials	Finishing	Note
Main body	Hard/soft vinyl chloride (PVC) +Stainless	—	Antibacterial and antifungal

[Test Results of Groove Grating]

Test items	Contents of test	Evaluation
Load bearing test	Total weight load of a wheel chair has been imposed on one wheel (Φ50). The test was followed based on JIS A 1450.	No significant bend or residual deformation within the range of withstanding load indicated in the specifications.
Weather resistance accelerated	Sunshine weather meter 63 °C × 200 hr Rainfall duration 12 min/hr	No significant color deterioration or change of color.
Endurance (Fatigue) test	80kg load 1 million times in servo Pulser tester	No deformation or warping or damage

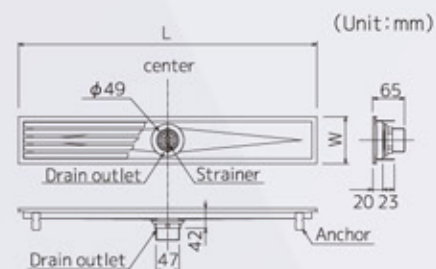


Premium

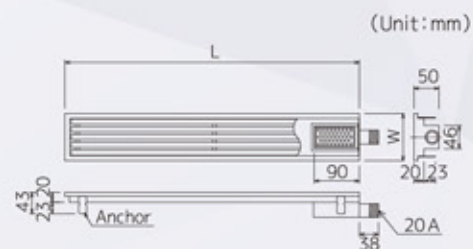
Drain Outlet with Trap

Drain Outlet Unit for Entrance Premium type

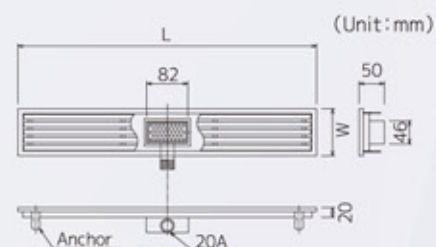
Standard Specifications



Horizontal Specifications



Front Specifications



	No.	Lot	Length L mm	Width W mm	Anchor (pair)	Weight	Withstanding load
100x100 tiles	GSG-10L600-P	4	594	94	2	1.6kg	9.0kN (900kgf)
	GSG-10L900-P		894			3	
	GSG-10L1200-P		1194		3.0kg		
	GSG-10L1800-P		1794		5		
	GSG-10L2000-P		1994			4.8kg	
150x150 tiles	GSG-15L600-P	4	596	144	2	2.1kg	9.0kN (900kgf)
	GSG-15L900-P		896			3	
	GSG-15L1200-P		1196		4.4kg		
	GSG-15L1800-P		1796		5		
	GSG-15L2000-P		1996			8.0kg	

	No.	Lot	Length L mm	Width W mm	Anchor (pair)	Weight	Withstanding load
100x100 tiles	GSGY-10L600-P	4	585	94	2	1.7kg	9.0kN (900kgf)
	GSGY-10L900-P		885			3	
	GSGY-10L1200-P		1185		3.1kg		
	GSGY-10L1800-P		1785		5		
	GSGY-10L2000-P		1985			4.9kg	
150x150 tiles	GSGY-15L600-P	4	586	144	2	2.4kg	9.0kN (900kgf)
	GSGY-15L900-P		886			3	
	GSGY-15L1200-P		1186		4.7kg		
	GSGY-15L1800-P		1786		5		
	GSGY-15L2000-P		1986			8.3kg	

	No.	Lot	Length L mm	Width W mm	Anchor (pair)	Weight	Withstanding load
100x100 tiles	GSGM-10L600-P	4	594	94	2	1.7kg	9.0kN (900kgf)
	GSGM-10L900-P		894			3	
	GSGM-10L1200-P		1194		3.1kg		
	GSGM-10L1800-P		1794		5		
	GSGM-10L2000-P		1994			4.9kg	
150x150 tiles	GSGM-15L600-P	4	596	144	2	2.4kg	9.0kN (900kgf)
	GSGM-15L900-P		896			3	
	GSGM-15L1200-P		1196		4.7kg		
	GSGM-15L1800-P		1796		5		
	GSGM-15L2000-P		1996			8.3kg	

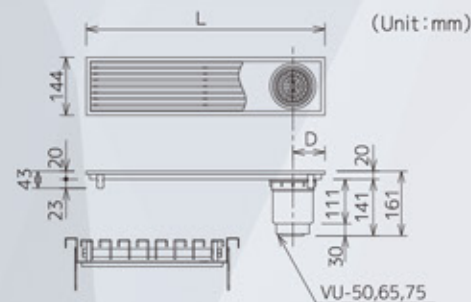


Drain Outlet Unit for SUS Grating Premium type



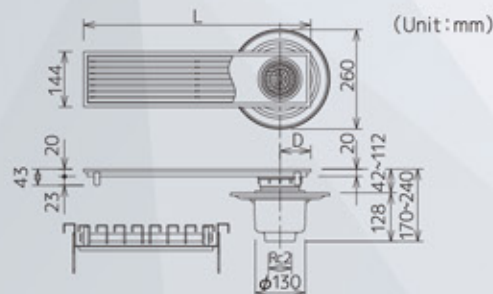
Drain Outlet Unit for SUS Punching Checkweave Premium type

Non waterproof vertical drain outlet



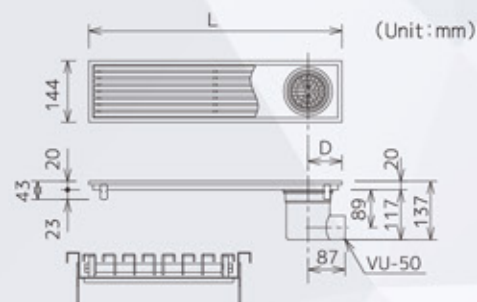
No.	Lot	L	D	Anchor (pair)	Weight	Withstanding load
HSAT-15L600-P	596	80	80	2	2.6kg	9.0kN (900kgf)
HSAT-15L900-P	896			3	3.8kg	
HSAT-15L1200-P	1196			4	4.9kg	
HSAT-15L1800-P	1796			5	7.1kg	

Waterproof vertical drain outlet



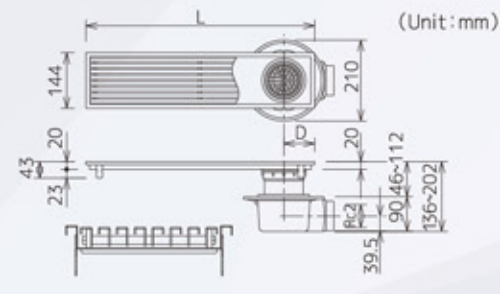
No.	Lot	L	D	Anchor (pair)	Weight	Withstanding load
HSAB-15L600-P	596	80	80	2	6.8kg	9.0kN (900kgf)
HSAB-15L900-P	896			3	8.0kg	
HSAB-15L1200-P	1196			4	9.1kg	
HSAB-15L1800-P	1796			5	11.3kg	

Non waterproof horizontal drain outlet



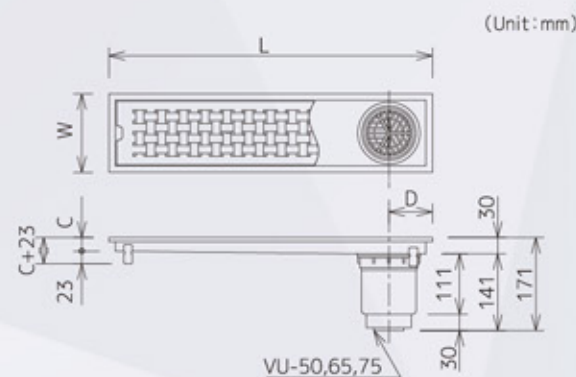
No.	Lot	L	D	Anchor (pair)	Weight	Withstanding load
HSAY-15L600-P	596	80	80	2	2.6kg	9.0kN (900kgf)
HSAY-15L900-P	896			3	3.8kg	
HSAY-15L1200-P	1196			4	4.9kg	
HSAY-15L1800-P	1796			5	7.1kg	

Waterproof horizontal drain outlet

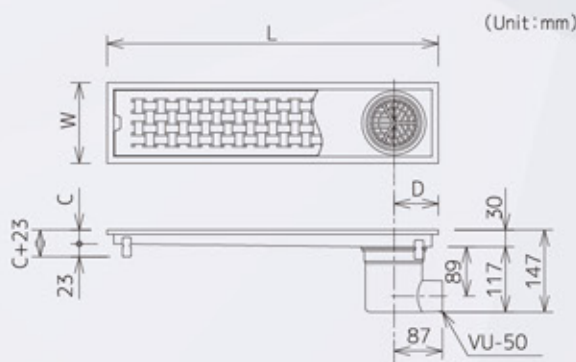


No.	Lot	L	D	Anchor (pair)	Weight	Withstanding load
HSAZ-15L600-P	596	80	80	2	6.8kg	9.0kN (900kgf)
HSAZ-15L900-P	896			3	8.0kg	
HSAZ-15L1200-P	1196			4	9.1kg	
HSAZ-15L1800-P	1796			5	11.3kg	

Non waterproof vertical drain outlet



Non waterproof horizontal drain outlet



Notes for Ordering

- * Depending on request, we can manufacture special order-made products with non-standard dimensions. The length can be customize up to 4000 mm.
- * Custom sizes available. * The pipe hole can be customize according to the request.
- * Minimum order request 10 set.

150x150 tiles

No.	Lot	L	W	C	D	Anchor (pair)	Weight	Withstanding load
HSUT-15L150-SP	6	144	144	30	72	—	0.9kg	1.5kN (150kgf)
HSUT-15L450-SP	444	26		2	2.0kg			
HSUT-15L600-SP	594	25		3	2.5kg			
HSUT-15L750-SP	4	744		24	80	3	3.0kg	
HSUT-15L900-SP	894	23	3	3.5kg				
HSUT-15L1200-SP	1194	20	3	4.5kg				

200x200 tiles

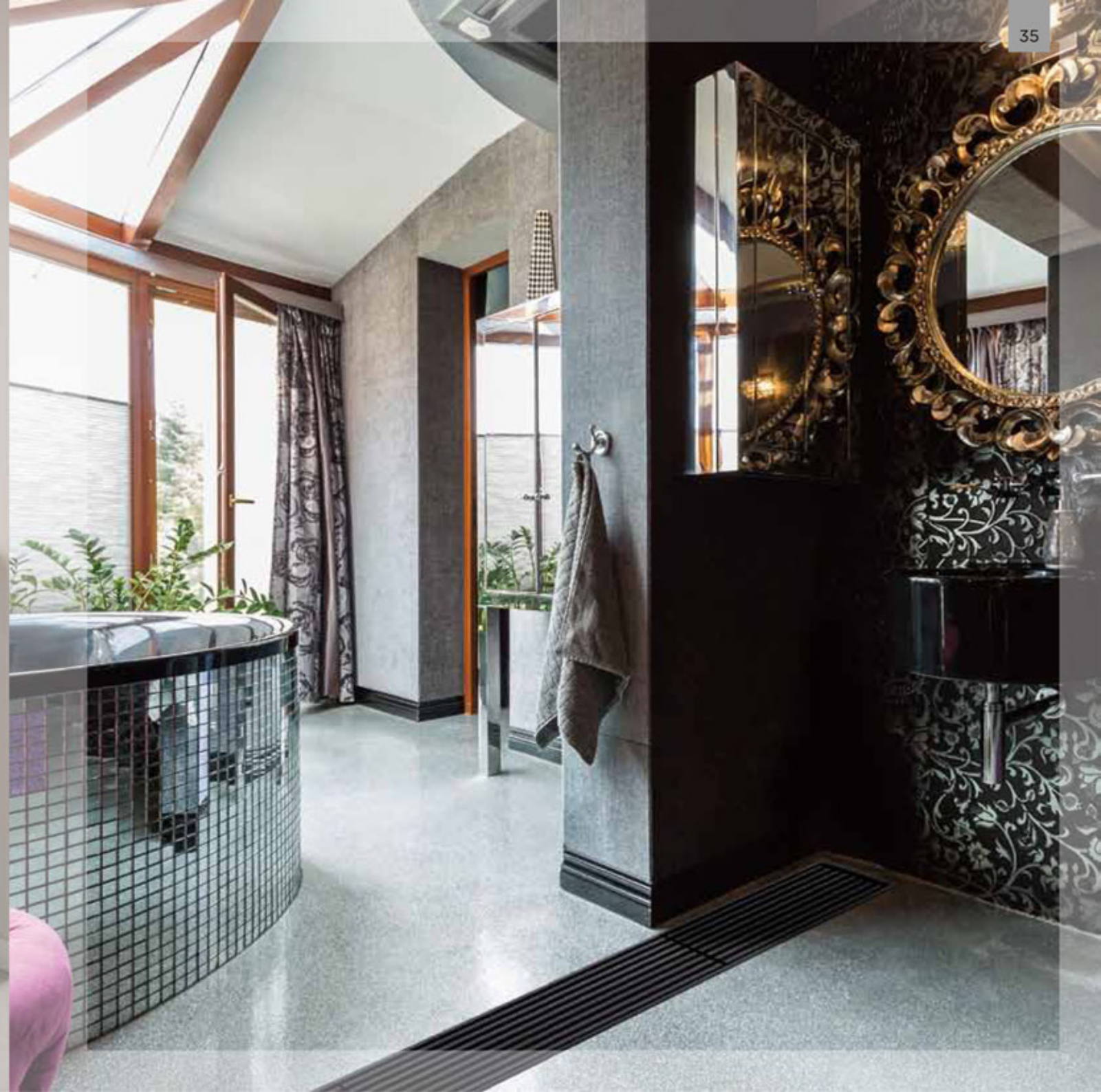
No.	Lot	L	W	C	D	Anchor (pair)	Weight	Withstanding load
HSUT-20L200-SP	6	196	196	30	98	—	1.5kg	1.5kN (150kgf)
HSUT-20L600-SP	596	25		2	3.4kg			
HSUT-20L800-SP	4	796		25	80	3	4.4kg	
HSUT-20L1000-SP	996	22		3	5.5kg			
HSUT-20L1200-SP	1196	20	3	6.3kg				

150x150 tiles

No.	Lot	L	W	C	D	Anchor (pair)	Weight	Withstanding load
HSUY-15L150-SP	6	144	144	30	72	—	0.9kg	1.5kN (150kgf)
HSUY-15L450-SP	444	26		2	2.0kg			
HSUY-15L600-SP	594	25		3	2.5kg			
HSUY-15L750-SP	4	744		24	80	3	3.0kg	
HSUY-15L900-SP	894	23	3	3.5kg				
HSUY-15L1200-SP	1194	20	3	4.5kg				

200x200 tiles

No.	Lot	L	W	C	D	Anchor (pair)	Weight	Withstanding load
HSUY-20L200-SP	6	196	196	30	98	—	1.5kg	1.5kN (150kgf)
HSUY-20L600-SP	596	25		2	3.4kg			
HSUY-20L800-SP	4	796		25	80	3	4.4kg	
HSUY-20L1000-SP	996	22		3	5.5kg			
HSUY-20L1200-SP	1196	20	3	6.3kg				





Stainless Grating — Drain Outlet Unit with Trap —

— Drainage trench for bathroom, shower room, rest room, balcony, kitchen etc.

Features

- **Narrow Gaps** : The gaps between bars are 6 mm or less which prevent children from inserting fingers.
- **Easy Maintenance** : Upper lid is light weight and each resin has a pull ring that makes cleaning easier.
- **Durability** : As upper surface is flat, wheel chairs and the like can go smoothly across the grating.
- **Type** : Two type of lids are available: Plain type and Non-slip type.



Material and specifications

Members	Materials	Finishing	Note	
Lid	Plain type	SUS304+AES	Hair-line	t=1.2
	Nonslippery type	SUS304+AES	Hair-line, nonslippery processing	t=1.2
	Resin material	Hard vinyl chloride (PVC)	—	—
Main body	SUS304	Groove:2B,Frangle:HL	t=1.0	
Anchor	Stainless	—	accessory	
Trap portion	Stainless+Resin	—	—	
Waterproof inlet	Cast iron +Chloroprene rubber	Cationic electrodeposition	Only for Waterproof type	

●Note

* Depending on request, we can manufacture special order-made products with non-standard dimensions.
For W144 and W196 the length can be customize up to 4000 mm.

With the removal tool



An attached fitting is useful for maintenance.
It allows easy removal of the top cover before cleaning.

Plain type	Nonslippery type
No.	No.
HSAT-15L●●T-F	HSAT-15L●●T-D

With the burglar proof metal fitting

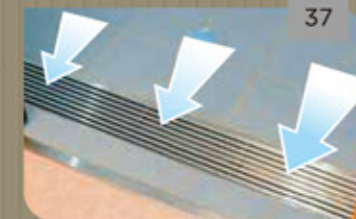


This fitting protects this unit from theft to ensure safe outdoor use.
Since it prevents the top cover from being raised easily, it also provides a childproof feature.

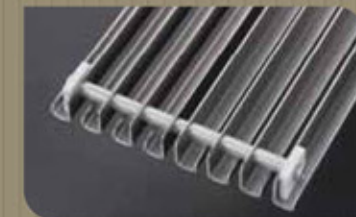
*This metal fitting does not provide perfect antitheft measures, because it is fastened by a nut.

Plain type	Nonslippery type
No.	No.
HSAT-15L●●N-F	HSAT-15L●●N-D

It drains smoothly.
Because it is perpendicular to the flow of water.



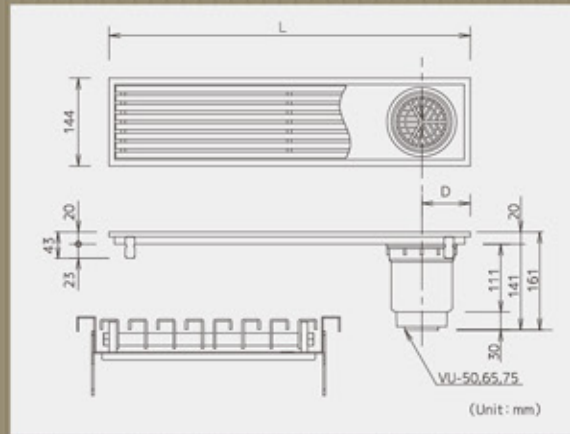
The resin material on the back side suppresses slip and stepping sound.



Left: Plain type
Right: Nonslippery type



Non waterproof Vertical drain outlet

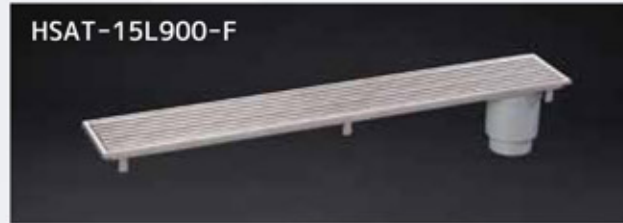


Plain type No.	Nonslippely type No.	Lot	L	D	Anchor (pair)	Weight
HSAT-15L600-F	HSAT-15L600-D	4	596	80	2	2.6kg
HSAT-15L900-F	HSAT-15L900-D		3		3.8kg	
HSAT-15L1200-F	HSAT-15L1200-D		4.9kg			
HSAT-15L1800-F	HSAT-15L1800-D		5		7.1kg	

HSAT-15L1800-F
※Trap position:Center



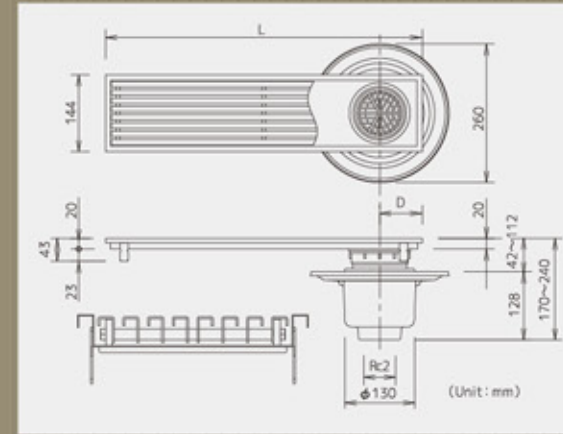
HSAT-15L900-F



HSAT-15L900-D



Waterproof Vertical drain outlet



Plain type No.	Nonslippely type No.	Lot	L	D	Anchor (pair)	Weight
HSAB-15L600-F	HSAB-15L600-D	4	596	80	2	7.0kg
HSAB-15L900-F	HSAB-15L900-D		3		8.2kg	
HSAB-15L1200-F	HSAB-15L1200-D		9.3kg			
HSAB-15L1800-F	HSAB-15L1800-D		5		11.5kg	

HSAB-15L1800-F
※Trap position:Center



HSAB-15L900-F



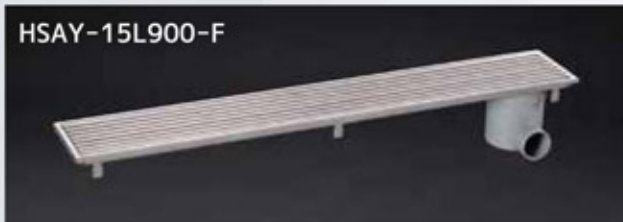
HSAB-15L900-D



HSAY-15L1800-F
※Trap position:Center



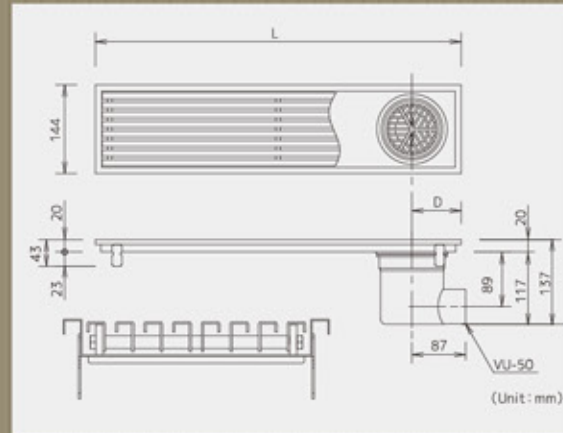
HSAY-15L900-F



HSAY-15L900-D



Non waterproof Horizontal drain outlet



Plain type No.	Nonslippely type No.	Lot	L	D	Anchor (pair)	Weight
HSAY-15L600-F	HSAY-15L600-D	4	596	80	2	2.6kg
HSAY-15L900-F	HSAY-15L900-D		3		3.8kg	
HSAY-15L1200-F	HSAY-15L1200-D		4.9kg			
HSAY-15L1800-F	HSAY-15L1800-D		5		7.1kg	

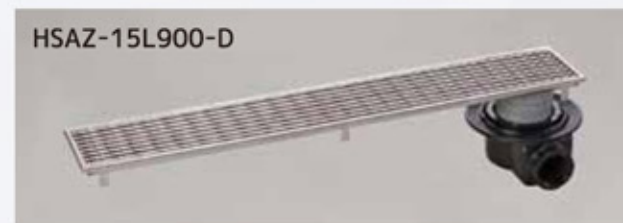
HSAZ-15L1800-F
※Trap position:Center



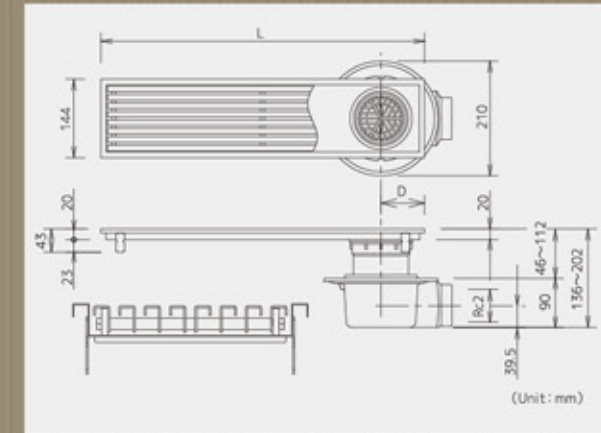
HSAZ-15L900-F



HSAZ-15L900-D



Waterproof Horizontal drain outlet



Plain type No.	Nonslippely type No.	Lot	L	D	Anchor (pair)	Weight
HSAZ-15L600-F	HSAZ-15L600-D	4	596	80	2	6.7kg
HSAZ-15L900-F	HSAZ-15L900-D		3		7.9kg	
HSAZ-15L1200-F	HSAZ-15L1200-D		9.0kg			
HSAZ-15L1800-F	HSAZ-15L1800-D		5		11.2kg	

Entrance Drainage GS

Application

Drainage trench for entrance door, elevator, balcony, kitchen at hospital, store, office, residence area etc.

Narrow Gaps

The gaps between bars are 6 mm or less which prevent children from inserting fingers.

Durability

As upper surface is flat, wheel chairs and the like can go smoothly across the grating.

Water Draining

Made for draining water especially on the rainy season.

Easy Maintenance

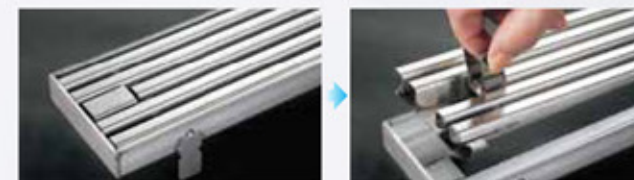
The lid is light weight which makes cleaning easier.

Type

Two type of lids are available : Plain type and Non-slip type.

The resin material attached to the back side restrains displacement and muffles the sound of this unit under your shoes.

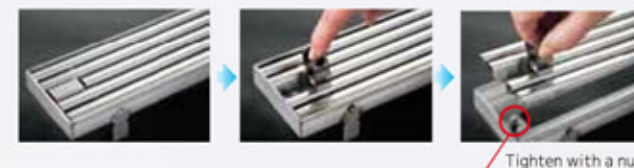
With the removal tool



An attached fitting is useful for maintenance. It allows easy removal of the top cover before cleaning.

	Plain type	Nonslippery type
	No.	No.
100x100tiles	GSG-10L●●T-F	GSG-10L●●T-D
150x150tiles	GSG-15L●●T-F	GSG-15L●●T-D

With the burglar proof metal fitting

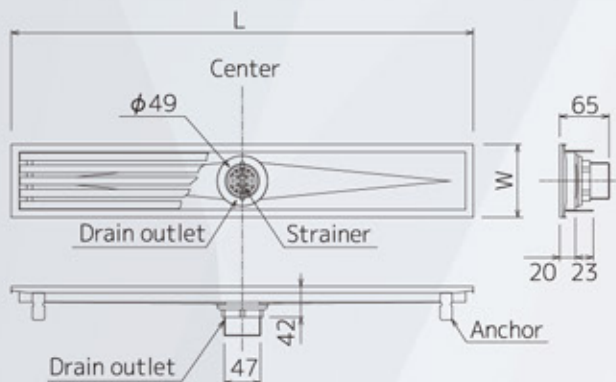
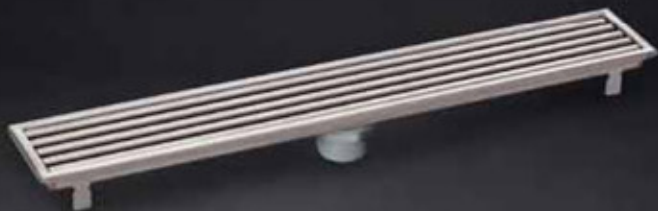


Tighten with a nut.

This fitting protects this unit from theft to ensure safe outdoor use. Since it prevents the top cover from being raised easily, it also provides a childproof feature.

*This metal fitting does not provide perfect antitheft measures, because it is fastened by a nut.

	Plain type	Nonslippery type
	No.	No.
100x100tiles	GSG-10L●●N-F	GSG-10L●●N-D
150x150tiles	GSG-15L●●N-F	GSG-15L●●N-D



(Unit : mm)

100×100 tiles

Plain type No.	Nonslippery type No.	Lot	L	W	Anchor (pair)	Weight	
GSG-10L600-F	GSG-10L600-D						594
GSG-10L900-F	GSG-10L900-D	894	3	2.3kg			
GSG-10L1200-F	GSG-10L1200-D	1194		4	3.0kg		
GSG-10L1800-F	GSG-10L1800-D	1794			5	4.4kg	
GSG-10L2000-F	GSG-10L2000-D	1994	4.8kg				

150×150 tiles

Plain type No.	Nonslippery type No.	Lot	L	W	Anchor (pair)	Weight	
GSG-15L600-F	GSG-15L600-D						596
GSG-15L900-F	GSG-15L900-D	896	3	3.3kg			
GSG-15L1200-F	GSG-15L1200-D	1196		4	4.4kg		
GSG-15L1800-F	GSG-15L1800-D	1796			5	6.6kg	
GSG-15L2000-F	GSG-15L2000-D	1996	8.0kg				

●Note

* Depending on request, we can manufacture special order-made products with non-standard dimensions. For W94 and W144 the length can be customize up to 4000 mm.

* Minimum order request 10 set.

Without Outlet Drain Outlet Unit



Plain type No.	Nonslippery type No.	L	W	Anchor (pair)	Weight	
GSE-L600-F	GSE-L600-D					580
GSE-L900-F	GSE-L900-D	880	3	3.4kg		
GSE-L1200-F	GSE-L1200-D	1180		4	4.5kg	
GSE-L1800-F	GSE-L1800-D	1780			5	6.7kg
GSE-L2000-F	GSE-L2000-D	1980	7.3kg			

●Note

* Depending on request, we can manufacture special order-made products with non-standard dimensions. For W94 and W144 the length can be customize up to 4000 mm.

* Minimum order request 10 set.

100×100 tiles

Plain type No.	Nonslippery type No.	Lot	L	W	Anchor (pair)	Weight	
GSGY-10L600-F	GSGY-10L600-D						585
GSGY-10L900-F	GSGY-10L900-D	885	3	2.4kg			
GSGY-10L1200-F	GSGY-10L1200-D	1185		4	3.1kg		
GSGY-10L1800-F	GSGY-10L1800-D	1785			5	4.5kg	
GSGY-10L2000-F	GSGY-10L2000-D	1985	4.9kg				

150×150 tiles

Plain type No.	Nonslippery type No.	Lot	L	W	Anchor (pair)	Weight	
GSGY-15L600-F	GSGY-15L600-D						586
GSGY-15L900-F	GSGY-15L900-D	886	3	3.6kg			
GSGY-15L1200-F	GSGY-15L1200-D	1186		4	4.7kg		
GSGY-15L1800-F	GSGY-15L1800-D	1786			5	6.9kg	
GSGY-15L2000-F	GSGY-15L2000-D	1986	8.3kg				

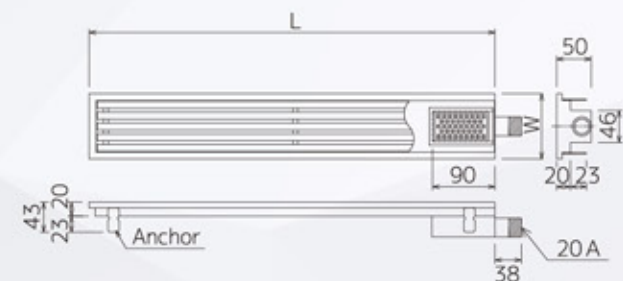
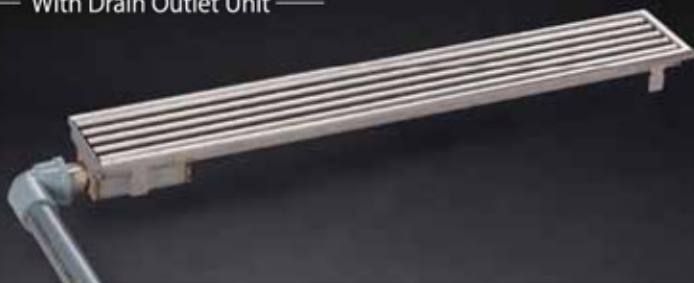
●Note

* Depending on request, we can manufacture special order-made products with non-standard dimensions. For W94 and W144 the length can be customize up to 4000 mm.

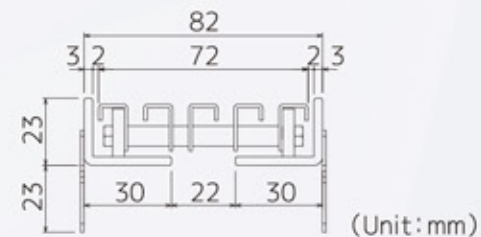
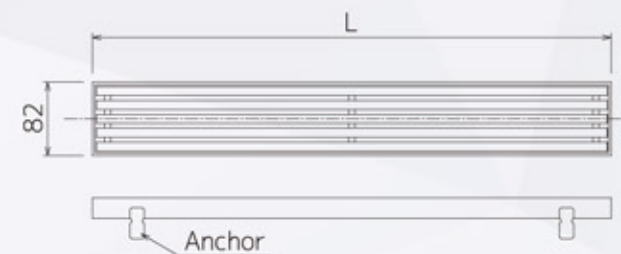
* Minimum order request 10 set.

Horizontal Drain Outlet

— With Drain Outlet Unit —



(Unit : mm)



(Unit : mm)

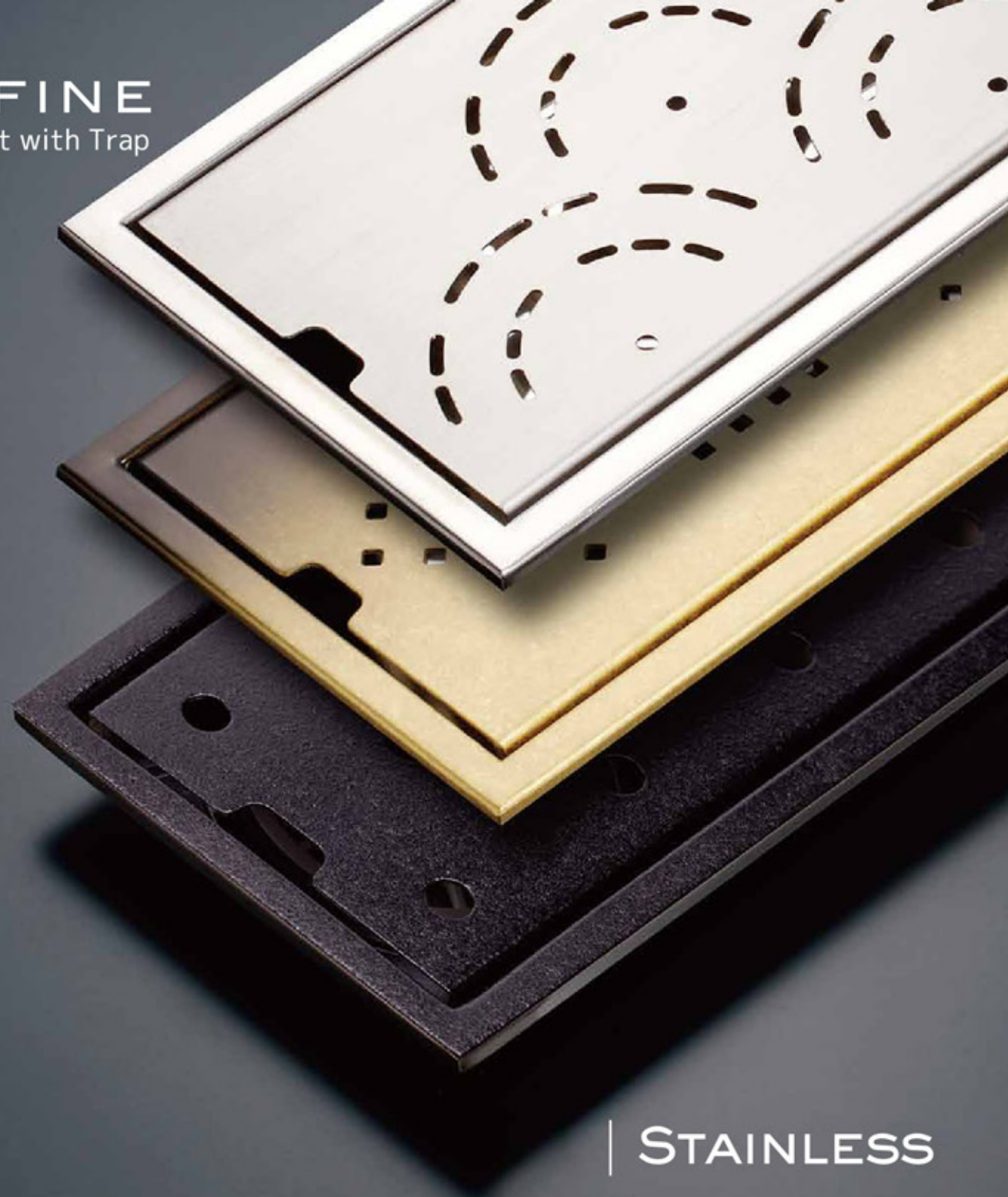
Material and specifications

Members	Materials	Finishing	Note	
Lid	Plain type	SUS304 + AES	Hair-line	t=1.2
	Nonslippery type	SUS304 + AES	Hair-line, nonslippery processing	t=1.2
Resin material	Hard vinyl chloride(PVC)	—	—	
L-angle receiving frame	SUS304	2B	t=3.0	
Removal tool	Stainless	—	accessory	



RAFFINE

Drain Outlet with Trap

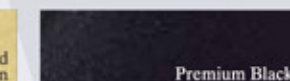
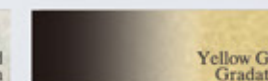
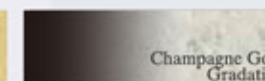
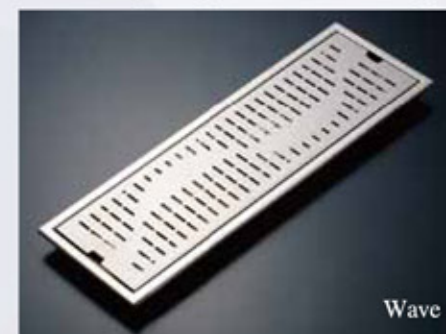


STAINLESS

Stainless Gratings are made from the finest raw materials and assembled with scrupulous attention to detail. Every component is designed, developed and produced in-house to the most exacting standard. Stainless Grating does not only enhance your interior design and environment but also greater structural strength, more impact resistance and contraction properties. Stainless Gratings are for Prestige, the taste of paradise. A Luxury grating specially made to upgrade your shower room.

Designs and Colors

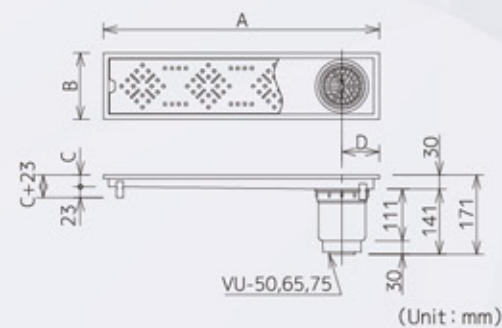
Stainless grating comes with 3 unique designs with 5 different colors.



Material and specifications

Members	Materials	Finishing	Note
Top cover	SUS304	BA	t=1.2~2.0
Main body	SUS304	BA	t=0.7
Trap portion	SUS304+resin	-	-
Waterproof inlet	Cast iron + chloroprene	Cationic electrodeposition	Only for waterproof type

Test	Test Content	Result
Hot water resistance test	One week in hot water at 60°C, 87°Cx48H	Clear
Weather resistance promotion exposure test	Sunshine Weather Meter 4000 hr	Clear
Chemical resistance test	Alkaline, neutral, acidic coating x 14 days	Clear
Impact resistance test	A steel ball of 1.2kg is dropped from a height of 1m at Ø40	Some indentation No paint peeling
Moisture resistance test	40°C Humidity 95% x 24hr	Clear
Abrasion resistance test	37,000 round trips with nylon scourer	No scratches
Slip test	Friction coefficient(dry/wet) : 0.37/0.36 Stainless steel surface friction coefficient at wet:0.17	Non slippery



	No.	Lot	A	B	C	D	Anchor (pair)	Weight	Withstanding load
150x150 tiles	HS♦T-15L450	4	444	144	26	80	2	1.6kg	1.5kN (150kgf)
	HS♦T-15L600		594		25			2.3kg	
	HS♦T-15L750		744		24		3.0kg		
	HS♦T-15L900		894		23		4.4kg		
	HS♦T-15L1200		1194		20		4.8kg		
200x200 tiles	HS♦T-20L600	4	596	196	25	80	2	3.4kg	1.5kN (150kgf)
	HS♦T-20L800		796		25			4.4kg	
	HS♦T-20L1000		996		22		5.5kg		
	HS♦T-20L1200		1196		20		6.3kg		

Notes for Ordering

*Please specify a drain hole design code at ♦:Wave (W),square (S),or circle (C).

Please specify a color code at the end of the part number: Champagne gold (C), Yellow gold (Y), Champagne gold gradation(CG), Yellow gold gradation(YG), premium black (P). Example : When you specify the wave design and champagne gold color: HSWB-15L450-C

*Depending on request, we can manufacture special order-made products with non-standard dimensions. For W82 the length can be customize up to 4000 mm.

*Custom sizes available. *The pipe hole can be customize according to the request. *Minimum order request 5 set.



RAFFINE GRATING

Durable and Prestige



Wood Raffine was chosen as the 'New Product Award' category at Archidex 17 for its unique and luxury features.

**NEW
PRODUCT
AWARD
ARCHIDEX 17
WINNER**

A Premium grade Grating made of Walnut Wood especially for indoor use.



Round upper surface makes you feel comfortable and prevent slippage.

The gaps between bars are 6 mm or less which prevent the risk of getting children's foot finger caught.

Thin layer coating has been applied in order to keep the wooden feeling.

You won't feel cold stepping on Wood Raffine in winter season.



Antifungal has been processed to avoid growth of fungus.



A Premium grade Grating made of Walnut Wood which is exceptionally durable and beautiful. Walnut wood; A very strong and stable wood with rich color and the nice touch of contrast. Every component is designed, developed and produced in-house to the highest international standard. It has been developed not only to upgrade your shower room, lifestyle but also considering its lifelong durability. Wood Raffine is the beauty of a shower room, transforms a normal shower space into an amazing space.

Material and specifications

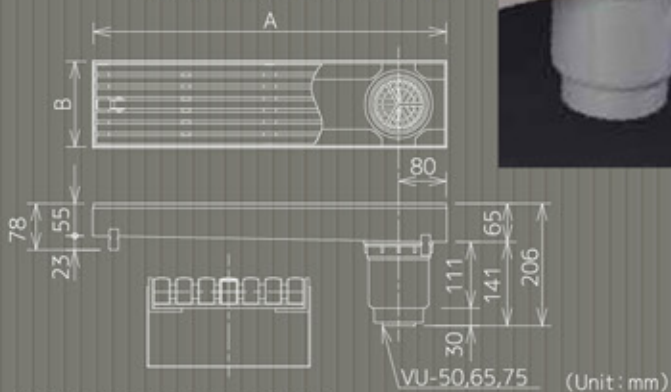
Members	Materials	Finishing	Note
Top cover	Walnut (natural wood) + SUS304	Coating with a wooden surface feeling	Antibacterial and antifungal
Main body	SUS304	—	—
Trap portion	SUS304 + Resin	—	—
Waterproof inlet	Cast iron + chloroprene	Cationic electrodeposition	Only for waterproof type

For 150 x 150 tiles: Top cover has 7 bars
For 200 x 200 tiles: Top cover has 10 bars

Evaluation Assessment

Test items	Contents of test	Evaluation
Load bearing test	The total weight load of a wheel chair has been imposed on one wheel (Φ50). The test was followed based on JIS A 1450.	No significant bend or residual deformation within the range of withstanding load indicated in the specifications.
Chemical resistance test	Apply alkaline, neutral, and acidic chemicals once a day x 14 days	No abnormality in appearance.
Warm water resistance test	Immerse product in 60°C warm water for 7 days.	No change of color or deformation
Impact resistance test	Drop a 20 mm radius ball of 1.2 kg from the height of 1 m.	No crack or breakage
Heat resistance test	70°C x 72 hr, exposure duration: 2 hr	No abnormality in appearance.
Moisture resistance test	40°C and humidity of 95% x 24 hr	No abnormality in appearance.
Hot water resistance test	87°C x 48hr	No change in weight or change of color or in appearance to the extent that may disrupt use.
Heating/cooling cycle test	Minus 15°C (30 min) ↔ room temperature (20°C x 3 min) ↔ 70°C (30 min) = 1 cycle, number of cycles: 25, exposure duration at room temperature: 2 hr	No abnormality in appearance.
Antibacterial test	JIS Z 2801	Antibacterial activity value of 2.0 or higher
Antifungal test	The test is implemented in accordance with JIS Z 2911 (Methods of test for fungus resistance).	No growth of mycelium was observed.
Abrasion test	Move a nylon scrub brush back and forth 10 thousand times with a pressing force of 20 Nf.	No abnormality in appearance.
Immersion test	Room temperature (20°C) x 8 hr, ↔ Dry (60°C) x 16 hr., 10 cycles	No abnormality in appearance.

Non waterproof Vertical drain outlet

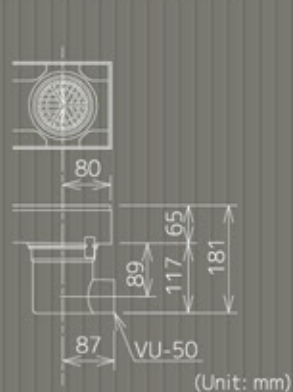


*VP-65 pipes can be connected directly.
VP-50 and -75 pipes can be connected through sockets.

For 150 x 150 tiles

	Part number of non waterproof vertical drain outlet	Part number of non waterproof horizontal drain outlet	A	B	Anchor (pair)	Weight
Set	HWFT-15L600	HWFY-15L600	594	144	2	4.2kg
Cover only	HWF-15L600-11	HWF-15L600-11	583	134	-	2.7kg

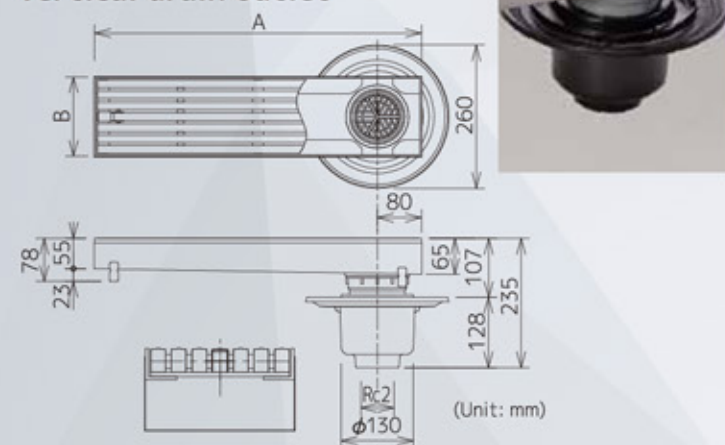
Non waterproof Horizontal drain outlet



For 200 x 200 tiles

	Part number of non waterproof vertical drain outlet	Part number of non waterproof horizontal drain outlet	A	B	Anchor (pair)	Weight
Set	HWFT-20L600	HWFY-20L600	596	196	2	5.0kg
Cover only	HWF-20L600-11	HWF-20L600-11	585	186	-	3.1kg

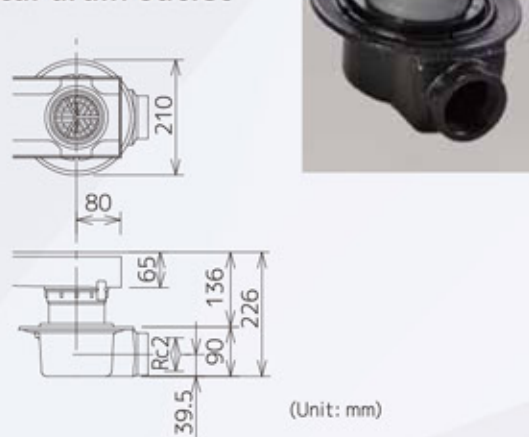
Waterproof Vertical drain outlet



For 150 x 150 tiles

	Part number of waterproof vertical drain outlet	Part number of waterproof horizontal drain outlet	A	B	Anchor (pair)	Weight
Set	HWFB-15L600	HWFZ-15L600	594	144	2	4.2kg
Cover only	HWF-15L600-11	HWF-15L600-11	583	134	-	2.7kg

Waterproof Horizontal drain outlet

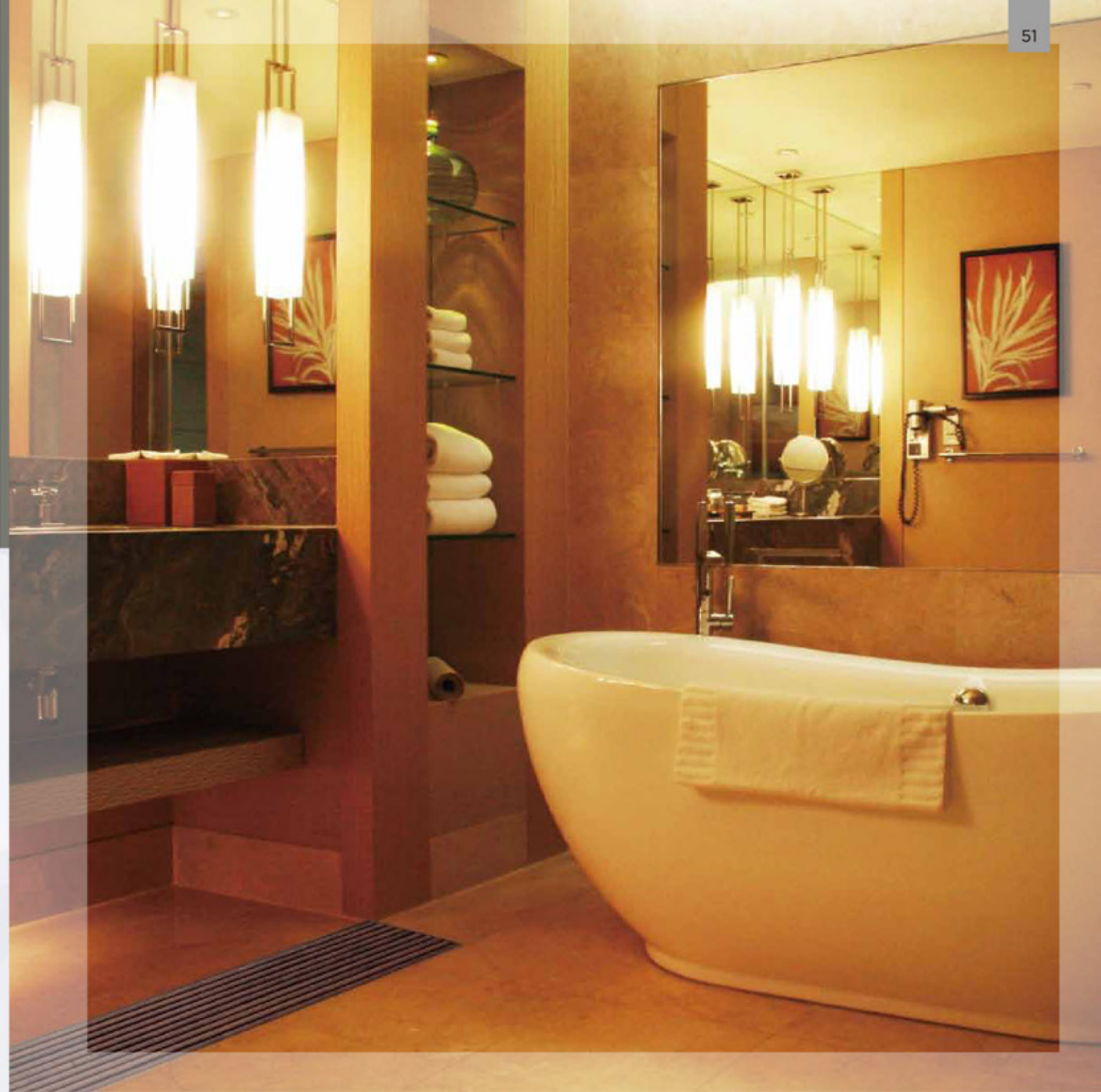


For 200 x 200 tiles

	Part number of waterproof vertical drain outlet	Part number of waterproof horizontal drain outlet	A	B	Anchor (pair)	Weight
Set	HWFB-20L600	HWFZ-20L600	596	196	2	5.0kg
Cover only	HWF-20L600-11	HWF-20L600-11	585	186	-	3.1kg

Notes for Ordering

* Depending on your requests, we can manufacture special order products with other than standard dimensions. * The maximum length of the wooden grating is 600 mm.
* Custom sizes available. * The pipe hole can be customize a according to the request. * Minimum order request 5 set.



Stainless Steel Mirror

Because your reflection should never be shattered

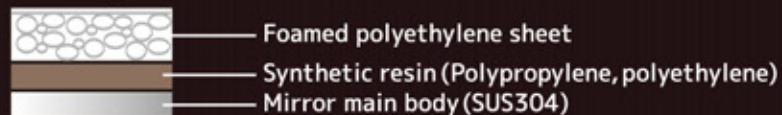
Key Features

- Earthquake resistance makes it unbreakable even if it falls.
- Safest mirror as it won't break even if hit by ballistic fragments.
- Stainless Steel Mirror is efficient in terms of life cycle cost due to long (semi-permanent) useful life.
- As the mirror main body is 100% recyclable, it is environment friendly.
- Easy to clean. A special towel made of a micro cloth (Nouveau Spugna) comes with the mirror.



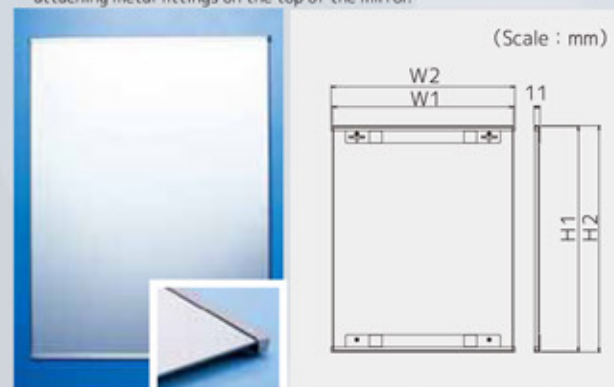
[Back side specification]

Three-layer structure



Burglar-proof metal fitting type (KSN)

※When constructing, please secure a clearance of 30 mm which is necessary for attaching metal fittings on the top of the mirror.

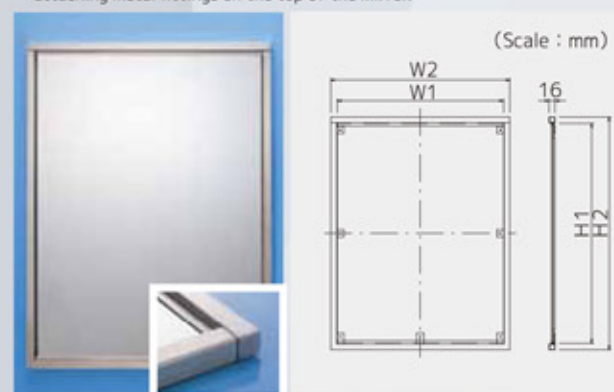


KSN

No.	Dimensions of the mirror		Dimensions when mounting bracket		Lot	Weight
	W1	H1	W2	H2		
KSN-3545	357	455	361	457	5	2.4kg
KSN-4560	460	608	464	610		3.9kg
KSN-4590	460	910	464	912	3	5.6kg

Four-side frame metal fitting type (KSS)

※When constructing, please secure a clearance of 30 mm which is necessary for attaching metal fittings on the top of the mirror.



KSS

No.	Dimensions of the mirror		Dimensions when mounting bracket		Lot	Weight
	W1	H1	W2	H2		
KSS-3545	357	455	391	491	5	3.3kg
KSS-4560	460	608	494	644		5.1kg
KSS-4590	460	910	494	946	3	7.2kg

<Caution>

* If you wish to use it at a wet location such as a bathroom, please be sure to caulk the gap between the mirror and wall in order to prevent water from entering the gap.

* Depending on request, we can manufacture special order-made products with non-standard dimensions and color.

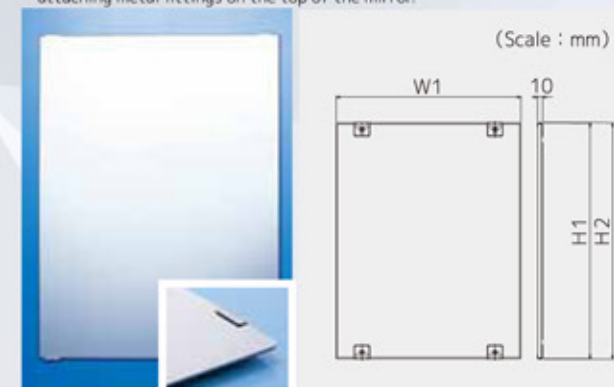
●Note

* Depending on request, we can manufacture special order-made products with non-standard dimensions. The highest dimension can be 1200*2400.

* Custom sizes available * Minimum order request 20 pcs.

Four-points securing metal fitting type (KSF)

※When constructing, please secure a clearance of 30 mm which is necessary for attaching metal fittings on the top of the mirror.

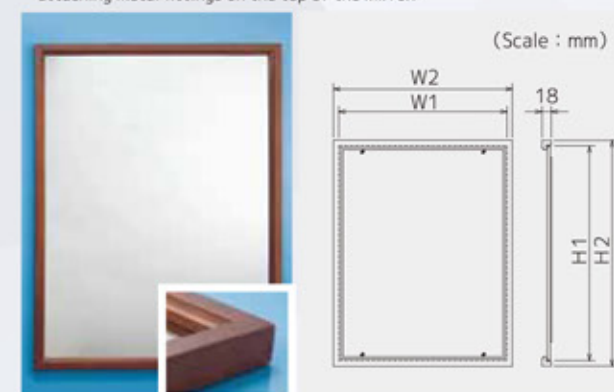


KSF

No.	Dimensions of the mirror		Dimensions when mounting bracket		Lot	Weight
	W1	H1	W2	H2		
KSF-3545	357	455	357	457	5	2.1kg
KSF-4560	460	608	460	610		3.6kg
KSF-4590	460	910	460	912	3	5.4kg

Wood frame type (KSW)

※When constructing, please secure a clearance of 30 mm which is necessary for attaching metal fittings on the top of the mirror.



KSW

No.	Dimensions of the mirror		Dimensions when mounting bracket		Lot	Weight
	W1	H1	W2	H2		
KSW-3545	357	455	379	479	5	2.5kg
KSW-4560	460	608	482	632		4.1kg
KSW-4590	460	910	482	934	3	5.9kg



Arita Ware Cerahand

Luxury Is In Each Details

Traditional Cerahand of Japan

日本を代表する伝統工芸

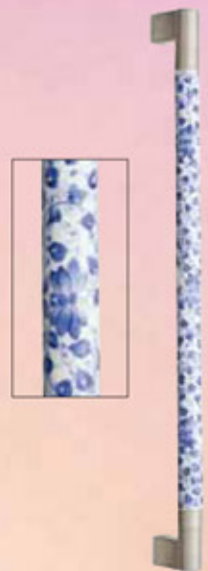
Arita ware is one of the world's famous porcelain fired in the vicinity of Arita-cho in Saga Prefecture. It has over 400 years of long history and Japan's first porcelain. In 1653, Arita ceramics were exported to European countries by Dutch East Indian Company (Vereenigde Oostindische Compagnie). They were especially popular with European nobles who used the somenishiki's dishes, the large jars, and the bowls. Arita ceramics started to undergo some changes to adjust to the European lifestyle.

Designs accorded with the seasons enriched the arts and way of life in the traditional Japanese society. Printed figures represent the beauty of Japan's tradition which is why these figures are done very carefully by the specially trained craftsman. This luxury porcelain ceramic grab bar is contained with anti-bacterial agent does not only looks vibrant, vivid and colorful but also feels astonishing.





600Type / 1.5kg $\phi 32$
No. TIC-325600-CW



600Type / 1.5kg $\phi 32$
No. TIC-325600-KIC



600Type / 1.5kg $\phi 32$
No. TIC-325600-KIH



600Type / 1.5kg $\phi 32$
No. TIC-325600-IE



600Type / 1.5kg $\phi 32$
No. TIC-325600-KIK



600Type / 1.5kg $\phi 32$
No. TIC-325600-IW



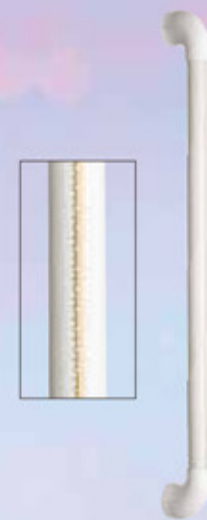
600Type / 1.5kg $\phi 32$
No. TIC-325600-BB



600Type / 1.5kg $\phi 32$
No. TIC-325600-BR



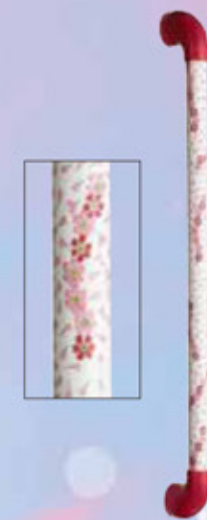
600Type / 1.5kg $\phi 30$
No. TIC-305600-YP



600Type / 1.5kg $\phi 30$
No. TIC-305600-OW



600Type / 1.5kg $\phi 30$
No. TIC-305600-KKB



600Type / 1.5kg $\phi 30$
No. TIC-305600-SKR

300Type / 1.0kg
No. TIC-305300-YP

300Type / 1.0kg
No. TIC-305300-OW

300Type / 1.0kg
No. TIC-305300-KKB

300Type / 1.0kg
No. TIC-305300-SKR



600Type / 1.5kg $\phi 30$
No. TIC-305600-TSG

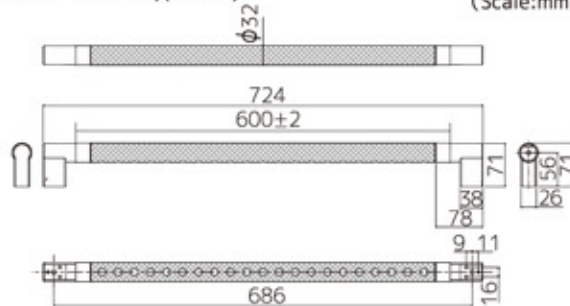
300Type / 1.0kg
No. TIC-305300-TSG

Test result for Cerahand has been given below :

Test	Contents	Result
Horizontal and Vertical Load strength	The tests were implemented in accordance with the "Method of Testing Performance for Quality Housing Component" by Better Living, BLTRW:2008.	Application of a load of 1150N(120kgf) resulted in no backlash, coming off, cracking, or breakage of rail and accessory metal fittings, or harmful deformation of the rail.
Strength of mounting portions and center portion under horizontal/vertical load		Application of a load of 590N(60kgf) resulted in no deformation, cracking, breakage, or backlash to an extent disrupting use of handrail, mounting portions and center portion.
Impact test	Drop a tube-like bag containing iron powder and sand in the proportion of 70% and 30% (10 kg) on a product to observe the phenomenon of breakage.	No cracking or breakage was observed after dropping from a height of up to 500mm.
Other	Repeat 40,000 times the motion of standing up while holding and pulling a Cerahand attached to a building frame.	No backlash, coming off, deformation, or bending of mounting portion.

TIC-32 "600" Type Only

(Scale:mm)



Please make sure the following type number:

600Type

- TIC-32S600-CW ● TIC-32S600-KIK ● TIC-32S600-KIH
- TIC-32S600-KIC ● TIC-32S600-IE ● TIC-32S600-SBS
- TIC-32S600-SWS ● TIC-32S600-SSS ● TIC-32S600-BR
- TIC-32S600-BB ● TIC-32S600-IW

Body: Ceramic, Mortart, Stainless Bolt, Resin cap, Attached bis
 Metal Fittings: Aluminum, Cation, Painting clothing,
 Acrylic baking finish

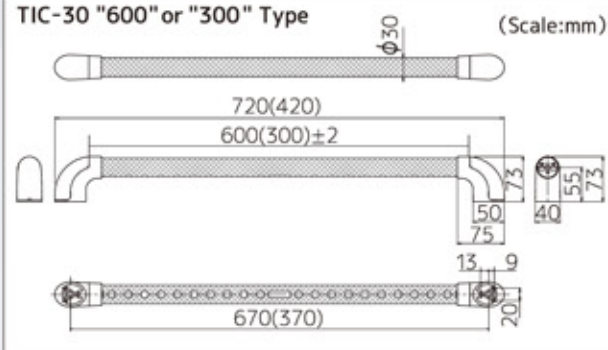


佐賀
有田焼



TIC-30 "600" or "300" Type

(Scale:mm)



Please make sure the following type number:

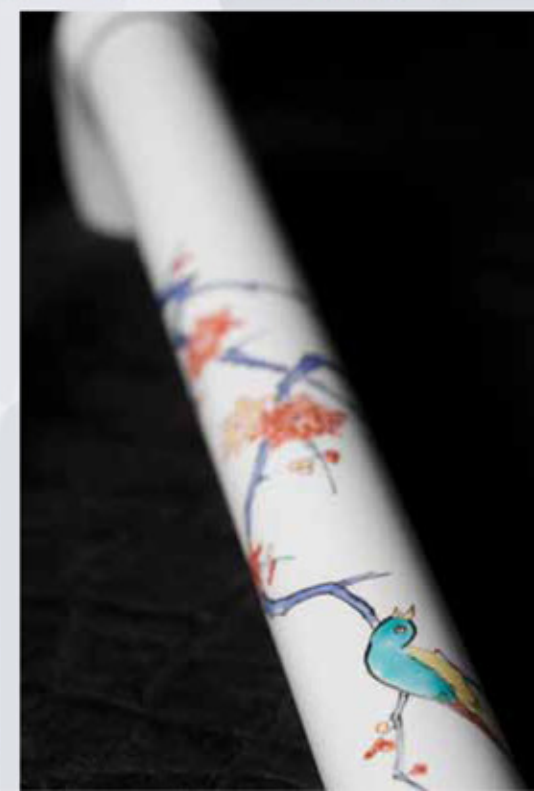
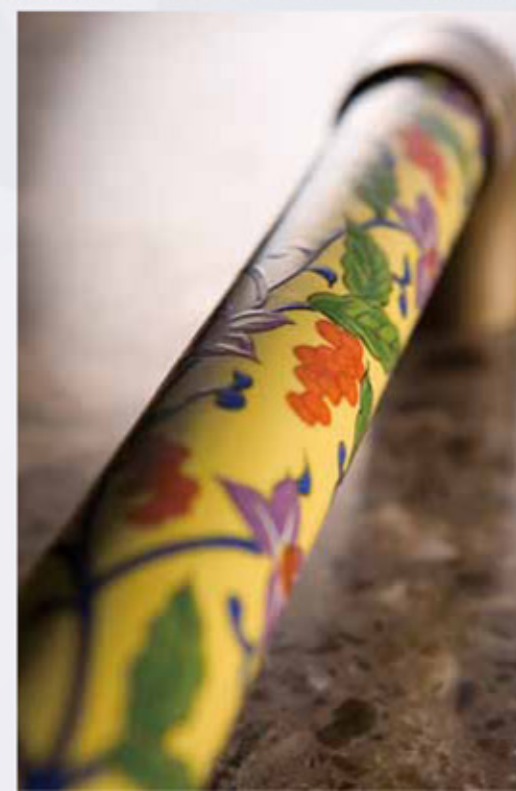
600Type

- TIC-30S600-TSG ● TIC-30S600-OW ● TIC-30S600-KKB
- TIC-30S600-SKR ● TIC-30S600-YP

300Type

- TIC-30S300-TSG ● TIC-30S300-OW ● TIC-30S300-KKB
- TIC-30S300-SKR ● TIC-30S300-YP

Body: Ceramic, Mortart, Stainless Bolt, Resin cap, Attached bis
 Metal Fittings: Zinc Alloy, Acrylic Baking Finish



INTERIOR BAR

SIMPLE DESIGN
MAPLE WOOD
SOLID GRIP
LIGHT WEIGHT





White



Black



Natural



White Cherry



